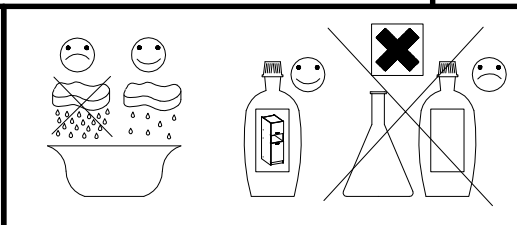
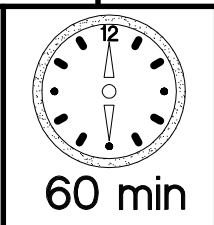
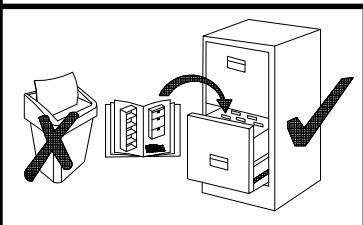
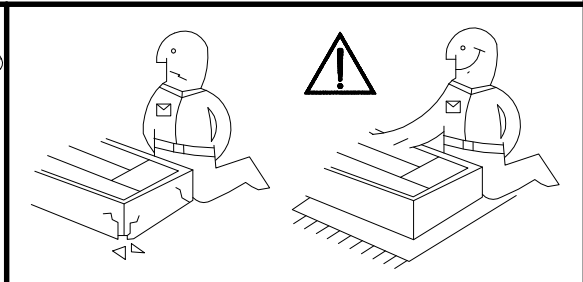
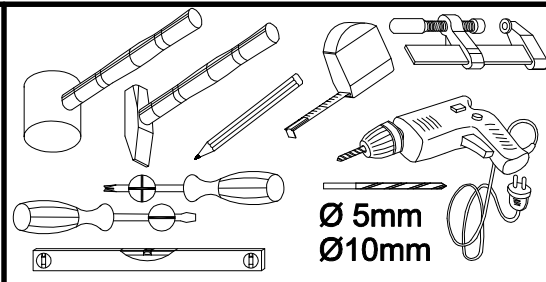
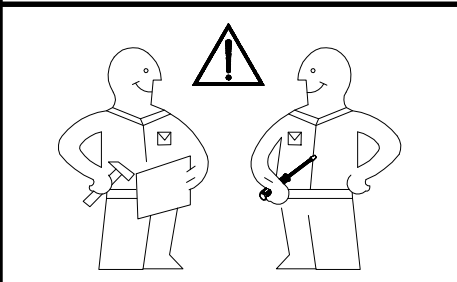
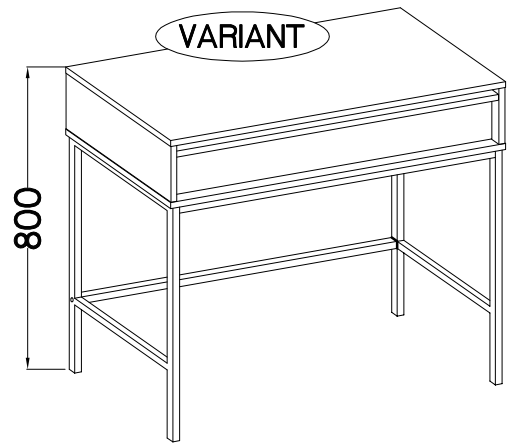
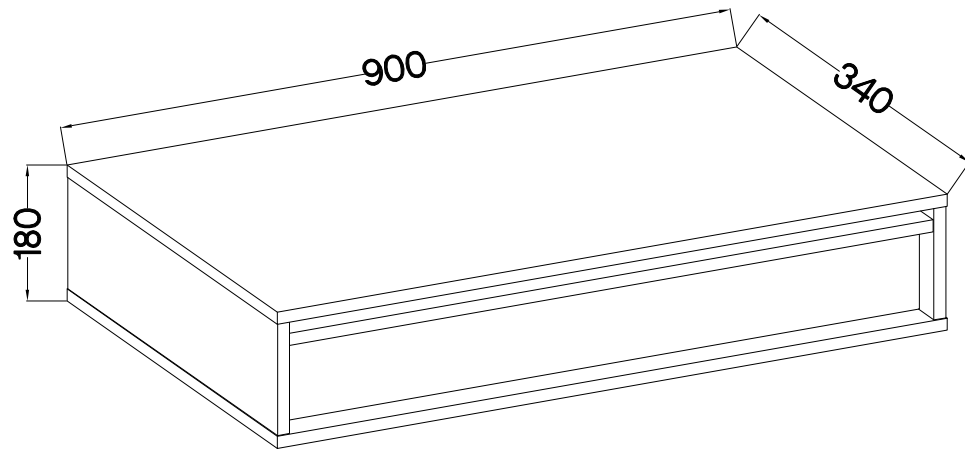


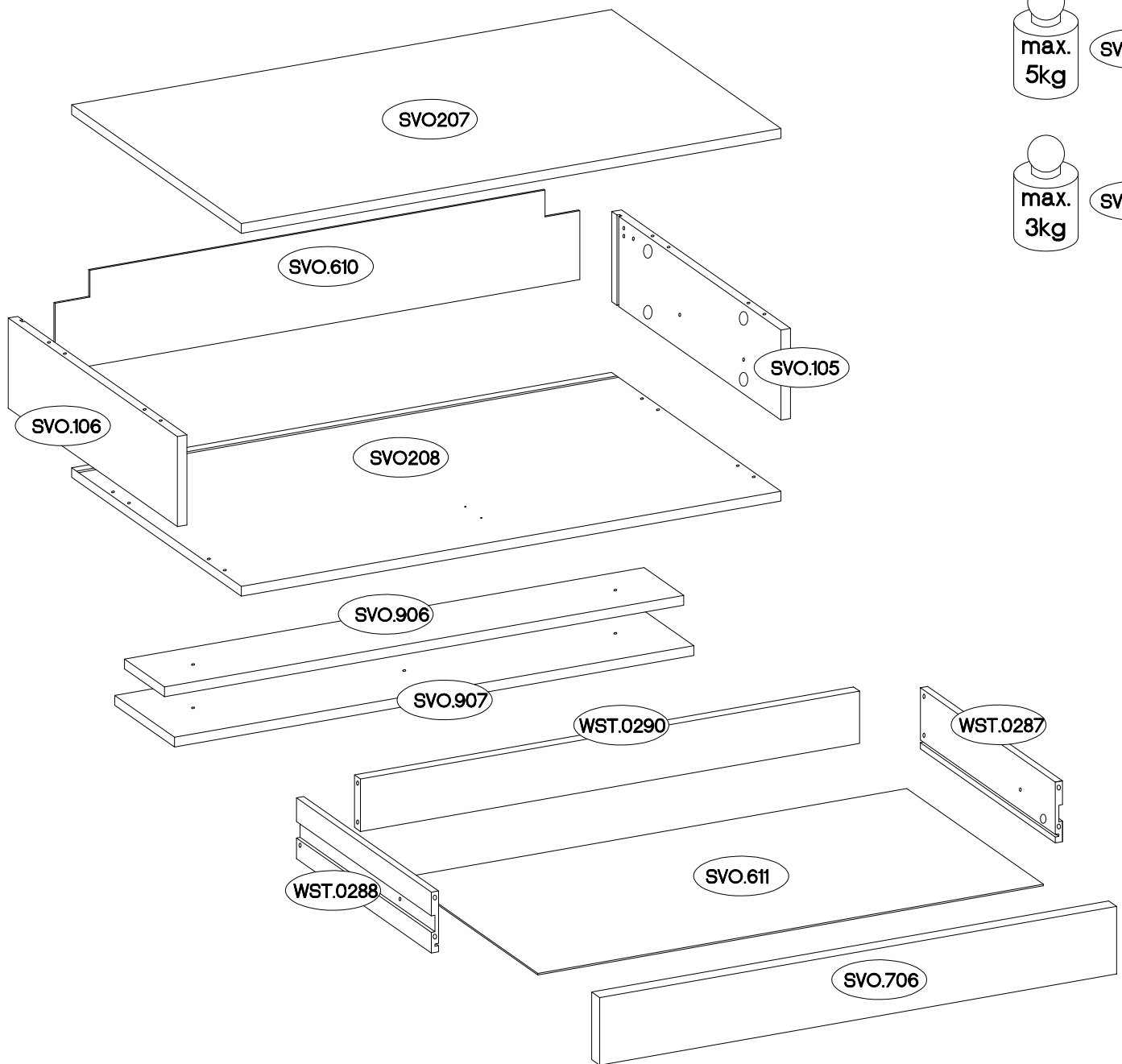
Konsola | Console Table | Konsolentisch | Console

EVO

TYP 201

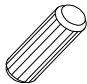



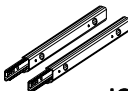


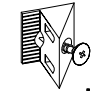


ISM-SVO-004










max. 5kg SVO.207

max. 3kg SVO.611

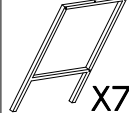
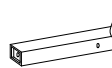
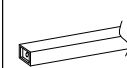

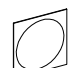
$\pm 8 \times 30 \text{mm}$  A	$\pm 6 \times 42 \text{mm}$  B2	$\pm 12 / 10 \text{mm}$  C5	$\pm 15 / 12 \text{mm}$  C	L=20mm  D2
12	2	2	8	10

$27 / 220 \text{mm}$  I3	 K47	 L33	 L	$\pm 5.0 \times 13 \text{mm}$  M	$\pm 6.3 \times 13 \text{mm}$  M2
1	2	1	12	6	4


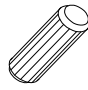
Ersatzteil Nummer	Dimension
SVO.105	148x339x16
SVO.106	148x339x16
SVO.207	900x340x16
SVO.208	900x340x16
SVO.906	866x80x16
SVO.907	866x120x16
SVO.610	875x157x2,5
SVO.611	843x274x2,5
WST.0287	270x100x12
WST.0288	270x100x12
WST.0290	832x86x12
SVO.706	111x862x16

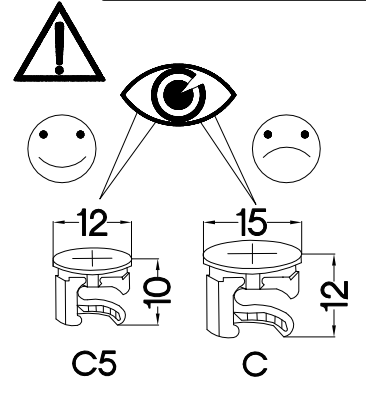
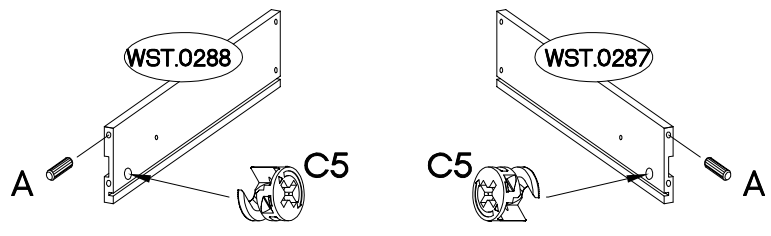
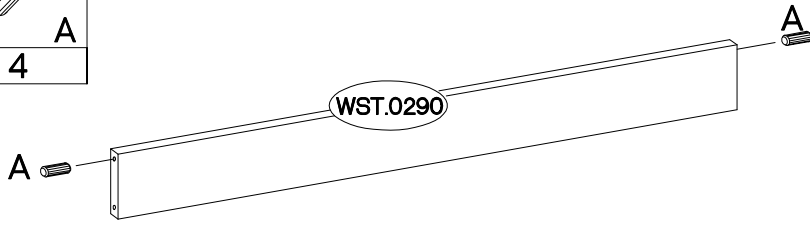
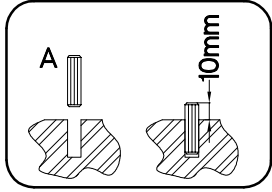
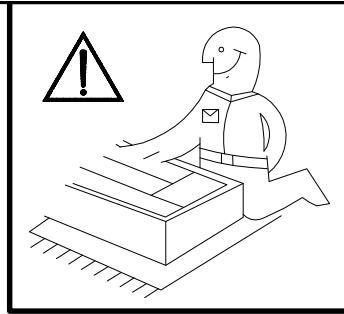
$\pm 10 \times 50 \text{mm}$  O7	$\pm 4.0 \times 16 \text{mm}$  P1	$\pm 3.5 \times 13 \text{mm}$  P5	$\pm 3.0 \times 20 \text{mm}$  P7	$\pm 5.0 \times 60 \text{mm}$  P12	$\pm 4.0 \times 45 \text{mm}$  R14	M4x9mm  U1
2	6	2	8	2	3	2

VARIANT

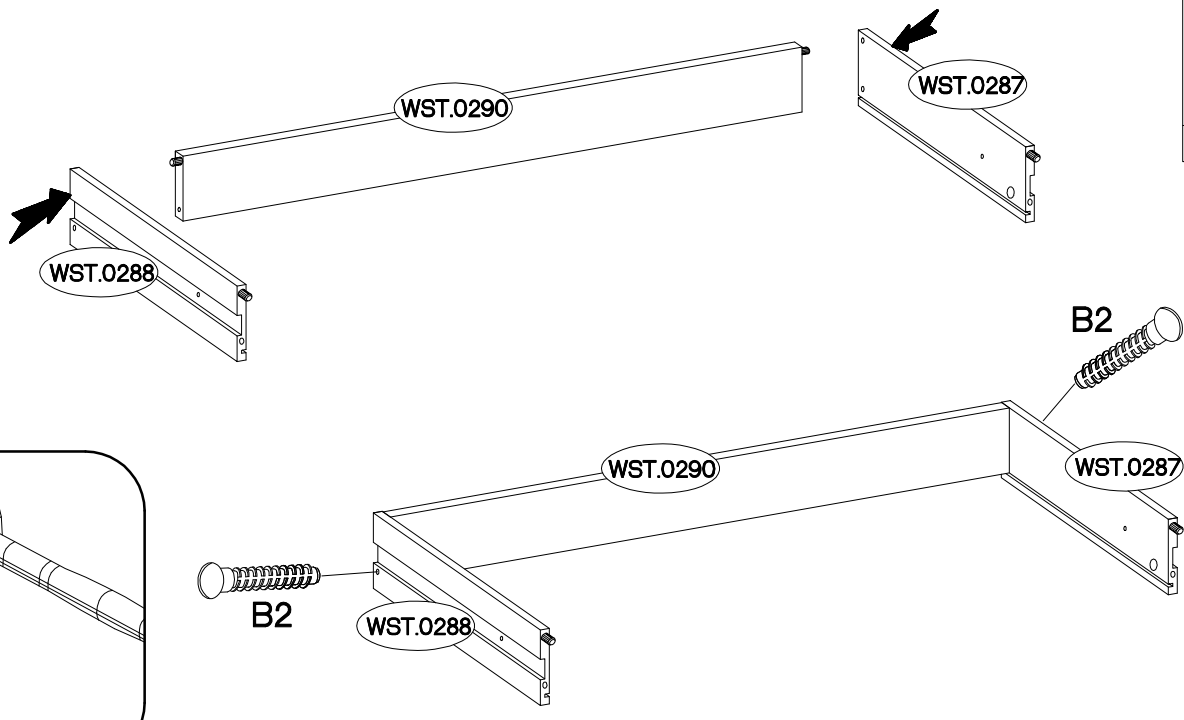
62x34cm  X7	L=85cm  X8	L=85cm  X9	M5,8x20mm  U13	± 14  E13
2	2	1	6	6


1

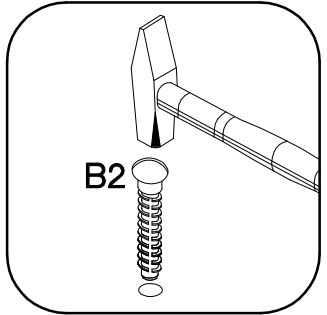
#12/10mm  C5 2	#8x30mm  A 4
---	---



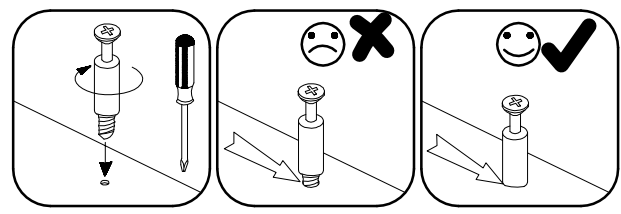
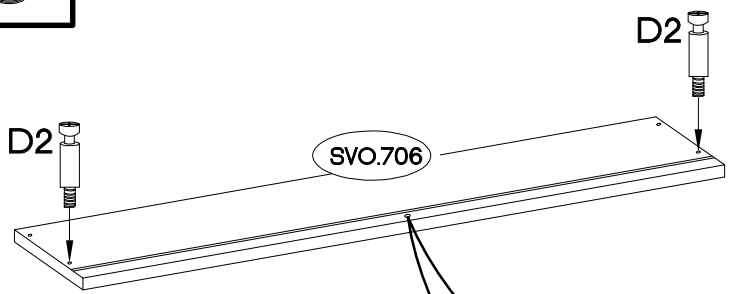
2


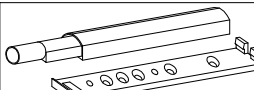


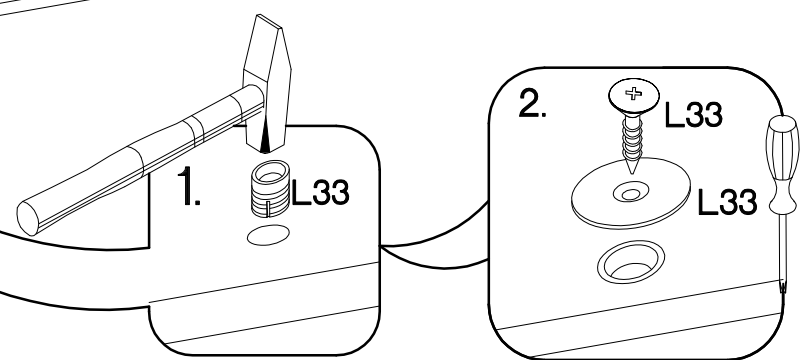
#6x42mm  B2 2



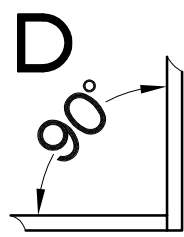
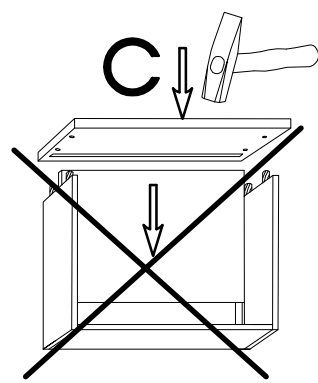
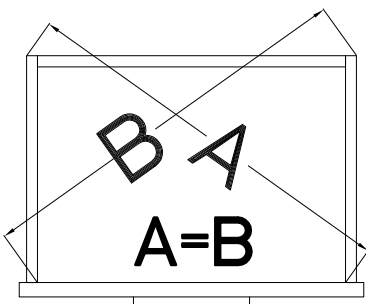
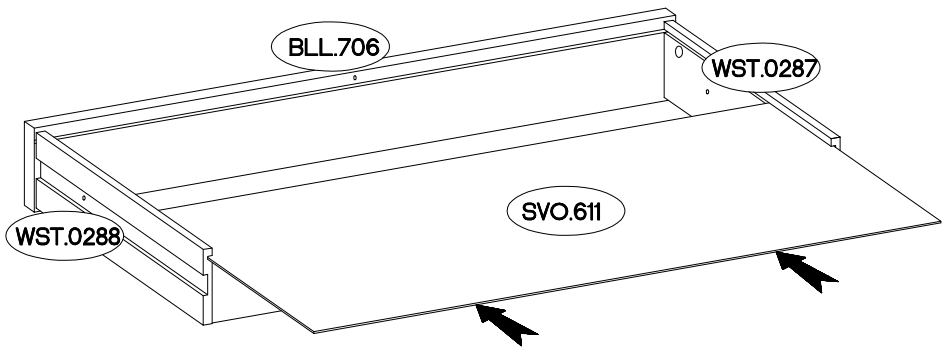
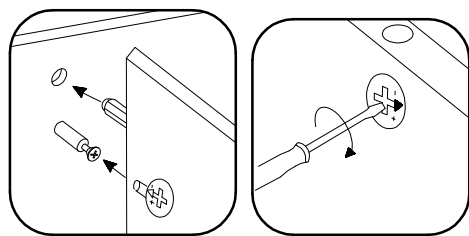
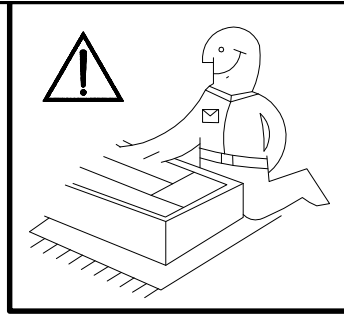
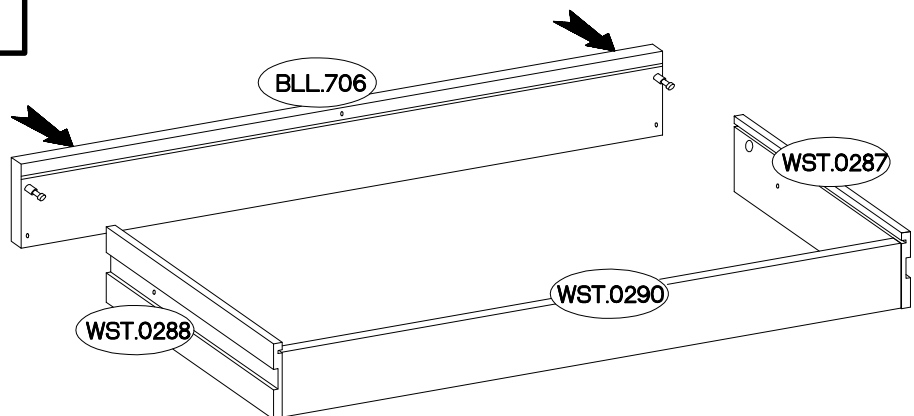
3



L=20mm  D2 2	 L33 1
---	---

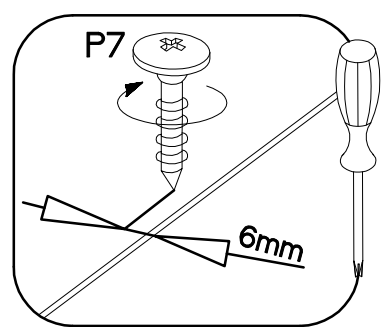
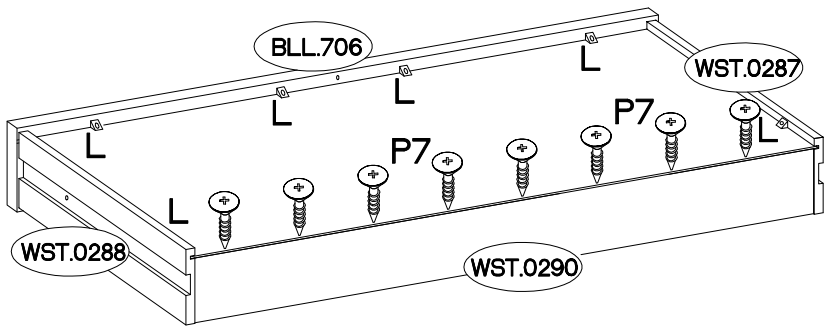
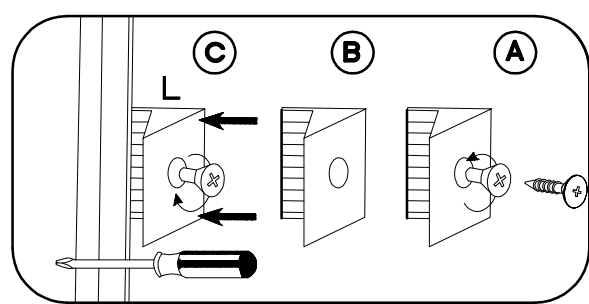


4

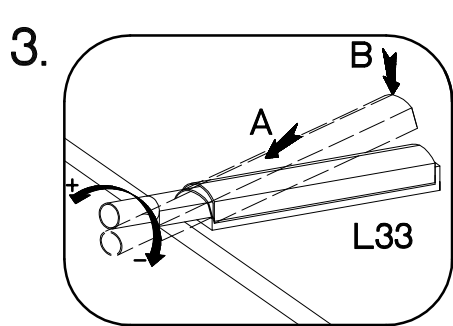
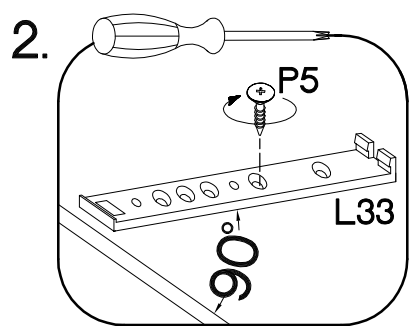
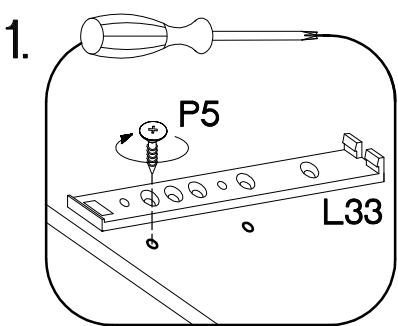
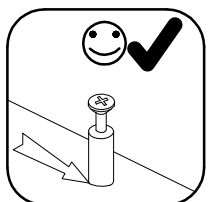
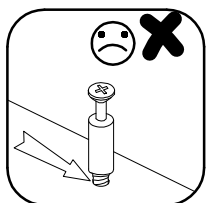
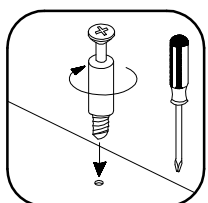
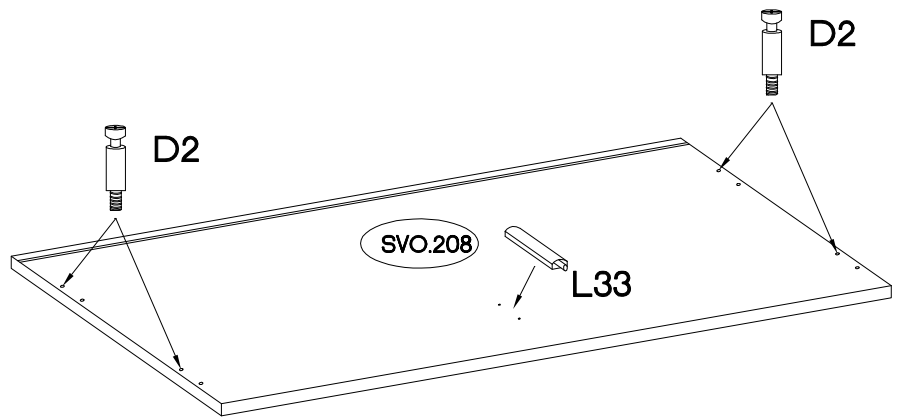
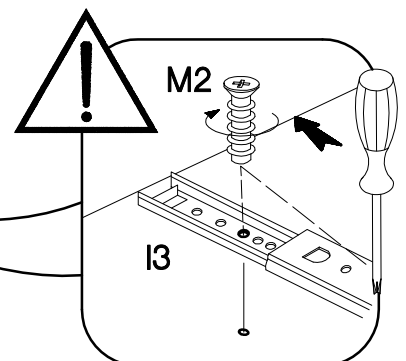
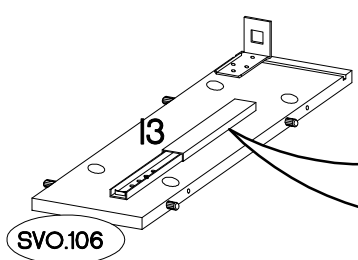
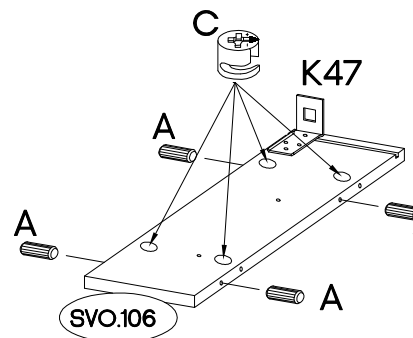
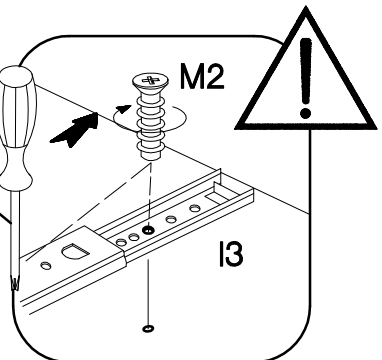
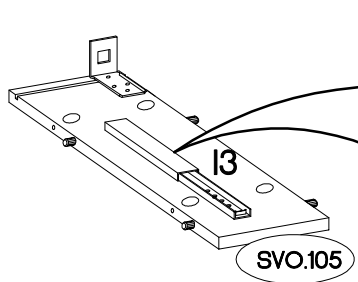
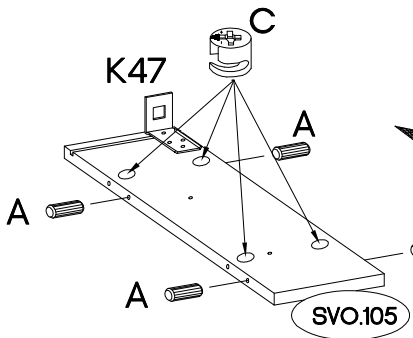
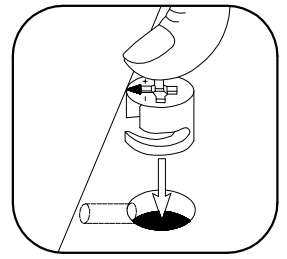
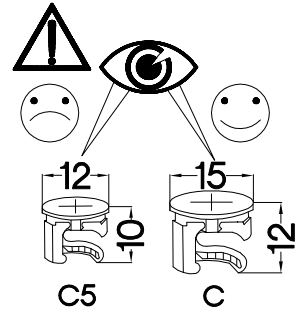
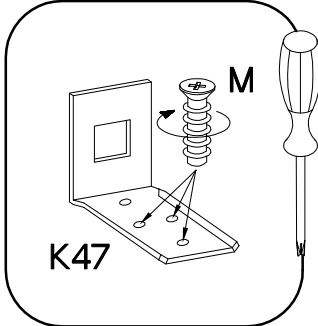
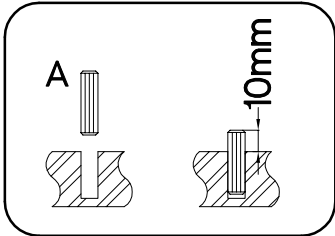
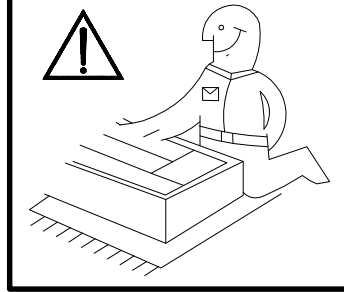
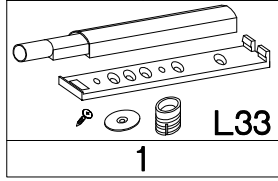


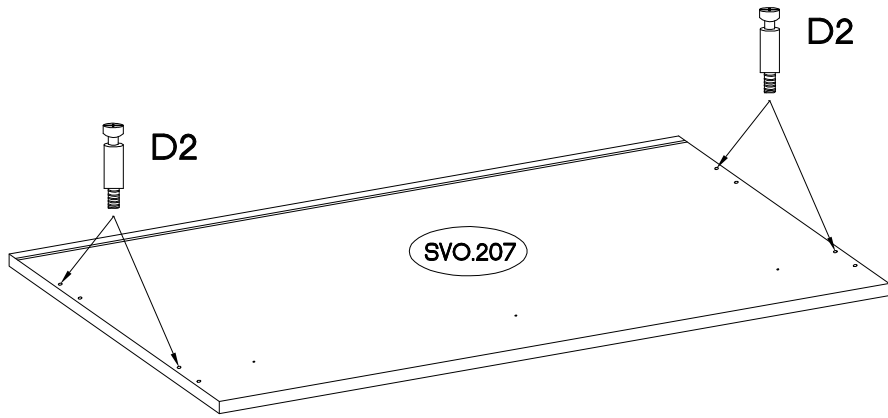
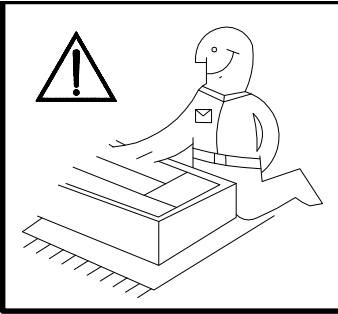
5

	$\pm 3.0 \times 20 \text{mm}$
L	P7
6	8

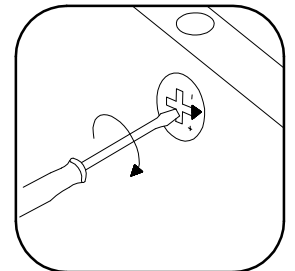
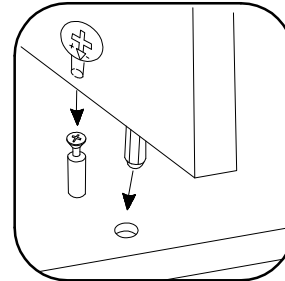
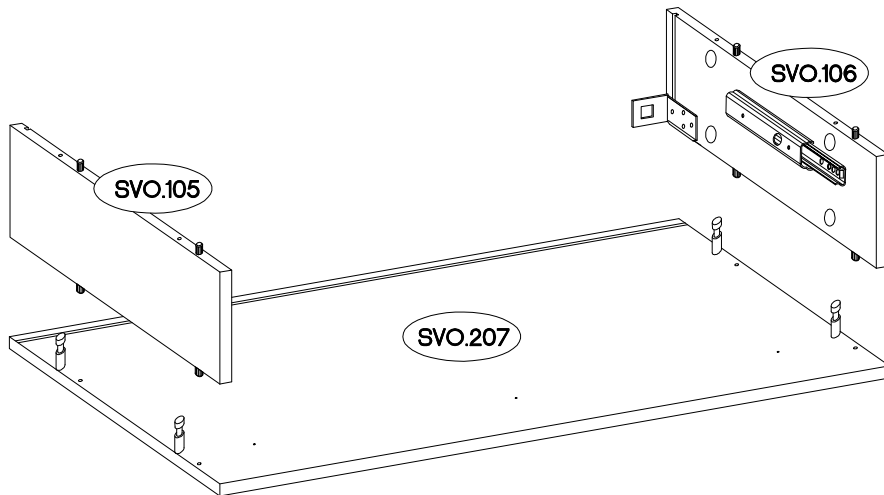


$\pm 8 \times 30 \text{mm}$ A 8	$L=20 \text{mm}$ D2 8	$\pm 15/12 \text{mm}$ C 8	 K47 2	$\pm 5.0 \times 13 \text{mm}$ M 6	$27/220 \text{mm}$ I3 1	$\pm 6.3 \times 13 \text{mm}$ M2 4	$\pm 3.5 \times 13 \text{mm}$ P5 2
---	---------------------------------	-------------------------------------	--------------	---	-----------------------------------	--	--

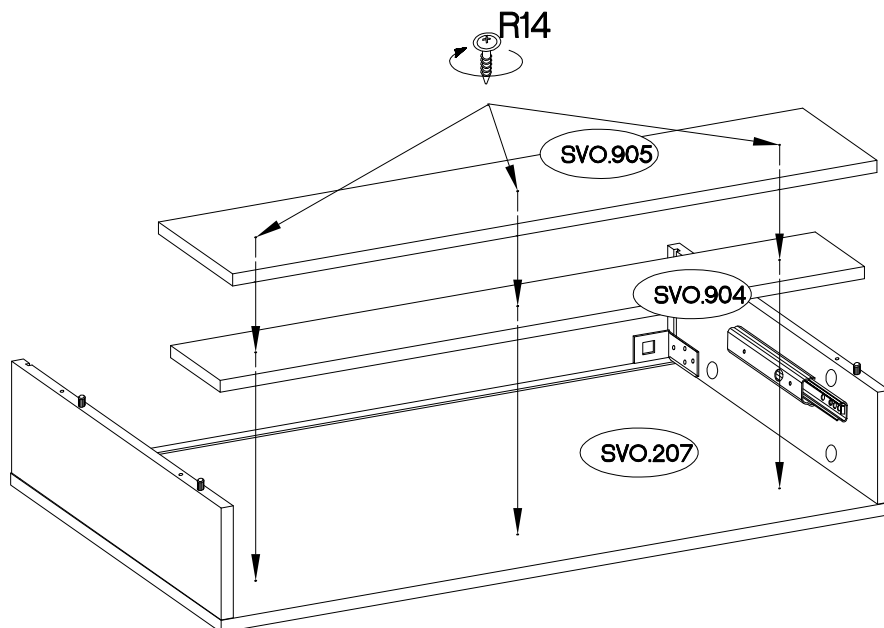
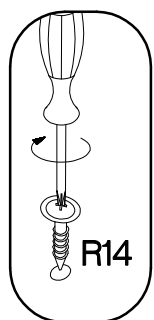
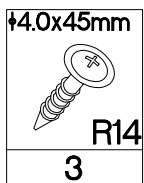




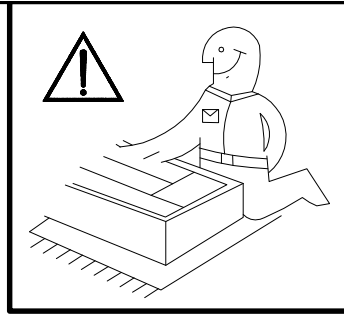
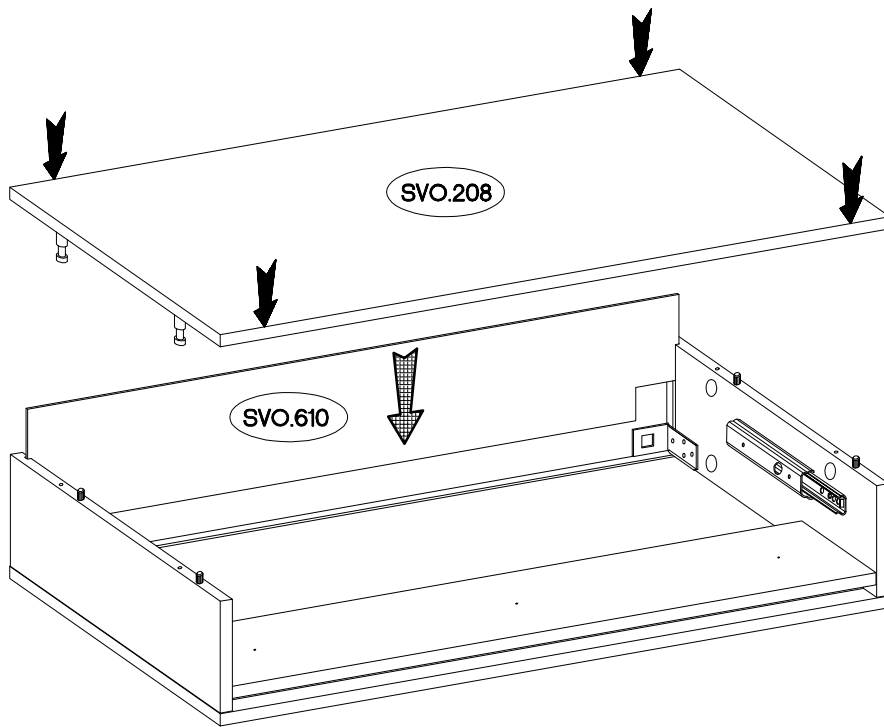
7



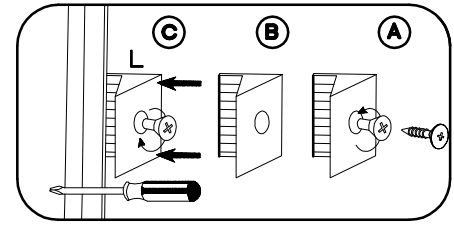
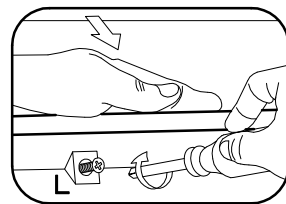
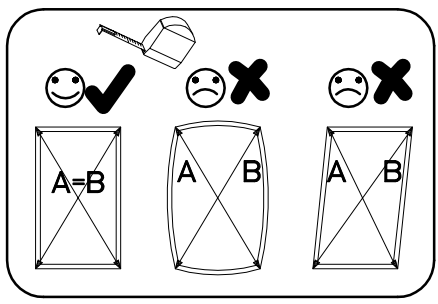
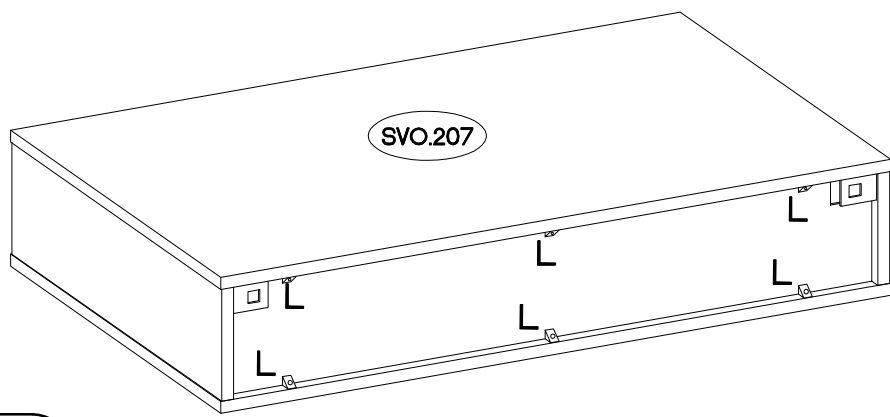
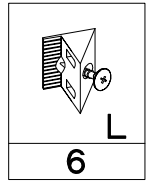
8



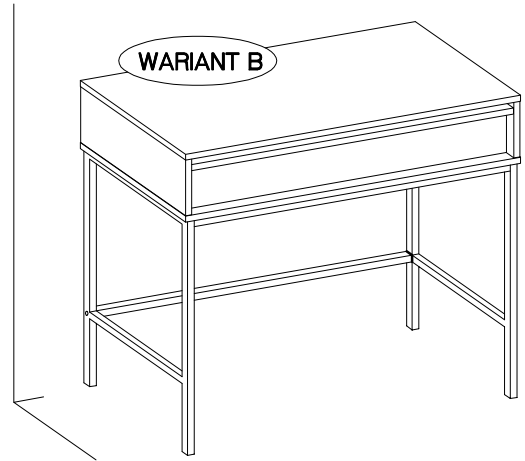
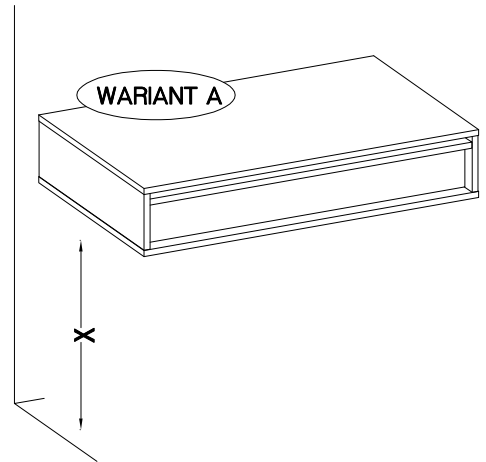
9

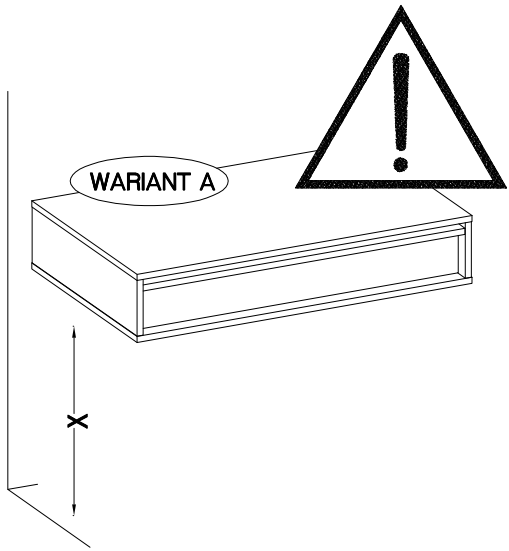


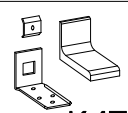


10

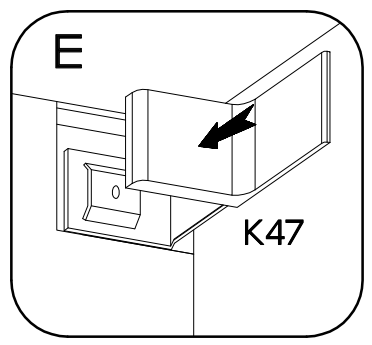
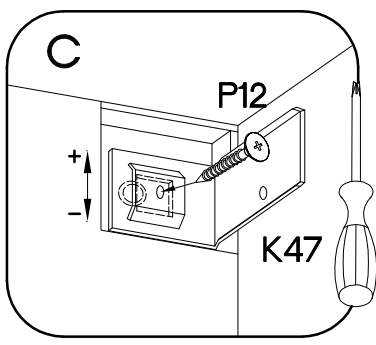
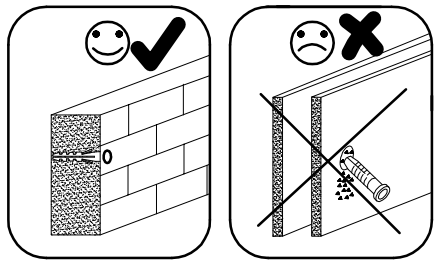
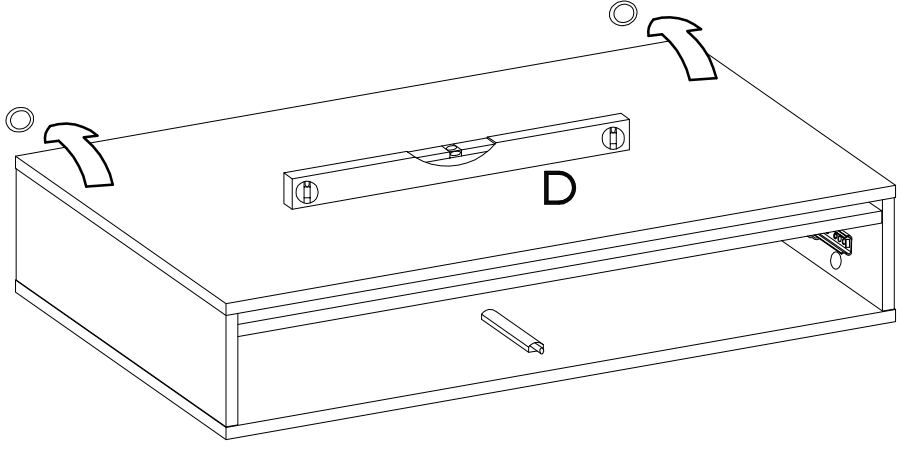
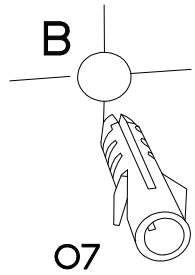
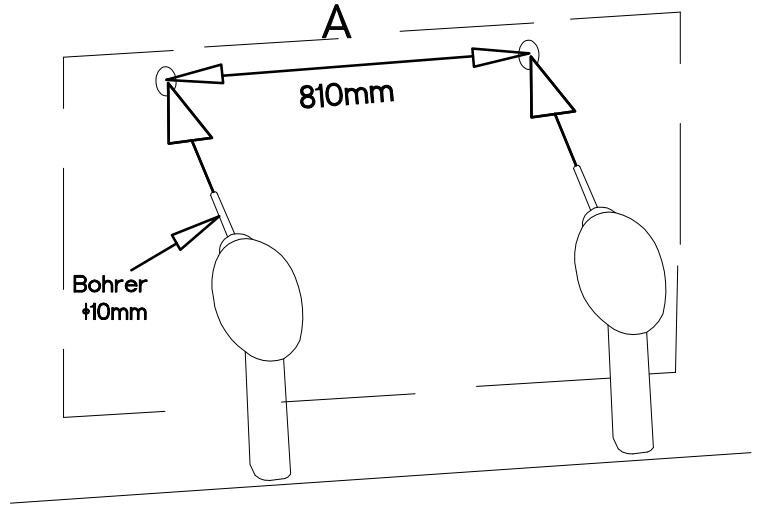


11

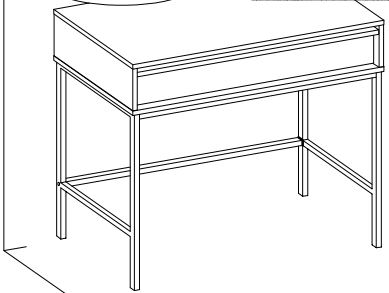




 K47	 P12	 O7
2	2	2

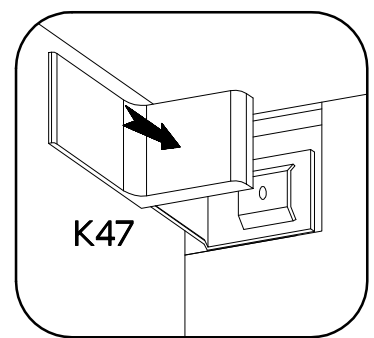
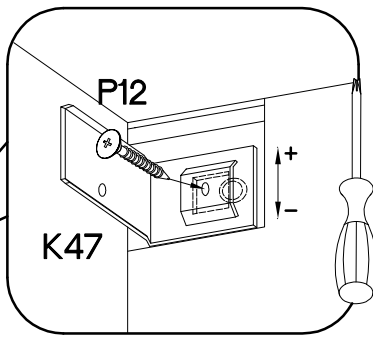
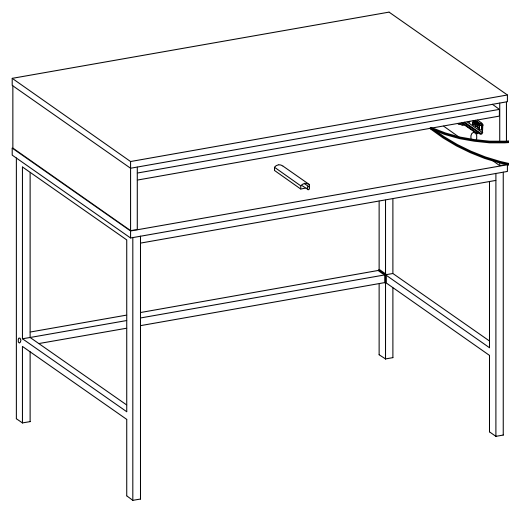
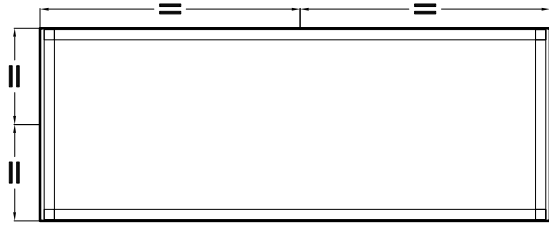
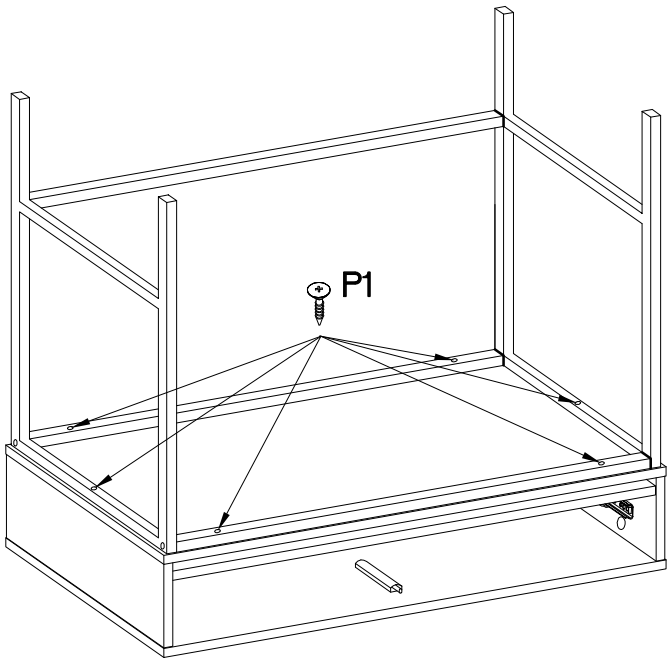
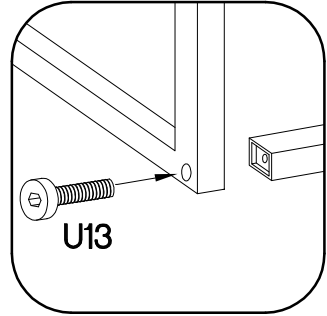
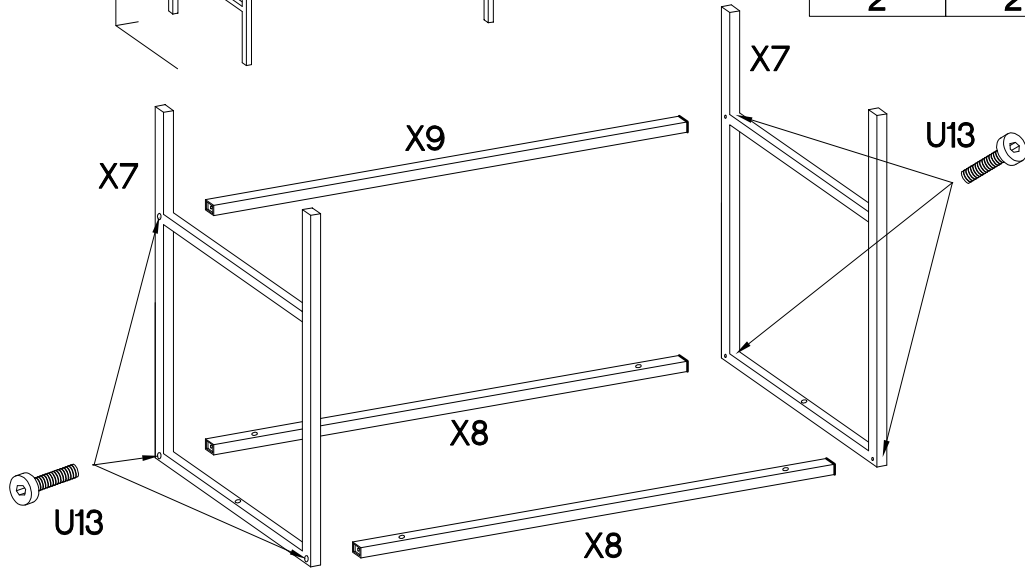


WARIANT B




	$\pm 5.0 \times 60 \text{mm}$ 	$\pm 10 \times 50 \text{mm}$ 	$\pm 4.0 \times 16 \text{mm}$
K47	P12	O7	P1
1	1	1	6

$62 \times 34 \text{cm}$ 	L=85cm 	L=85cm 	M5,8x20mm 	± 14
X7	X8	X9	U13	E13
2	2	1	6	6



14

M4x9mm

U1
2

