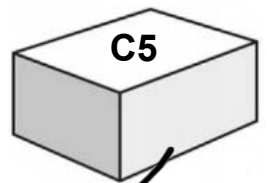
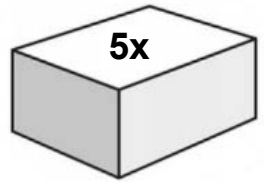
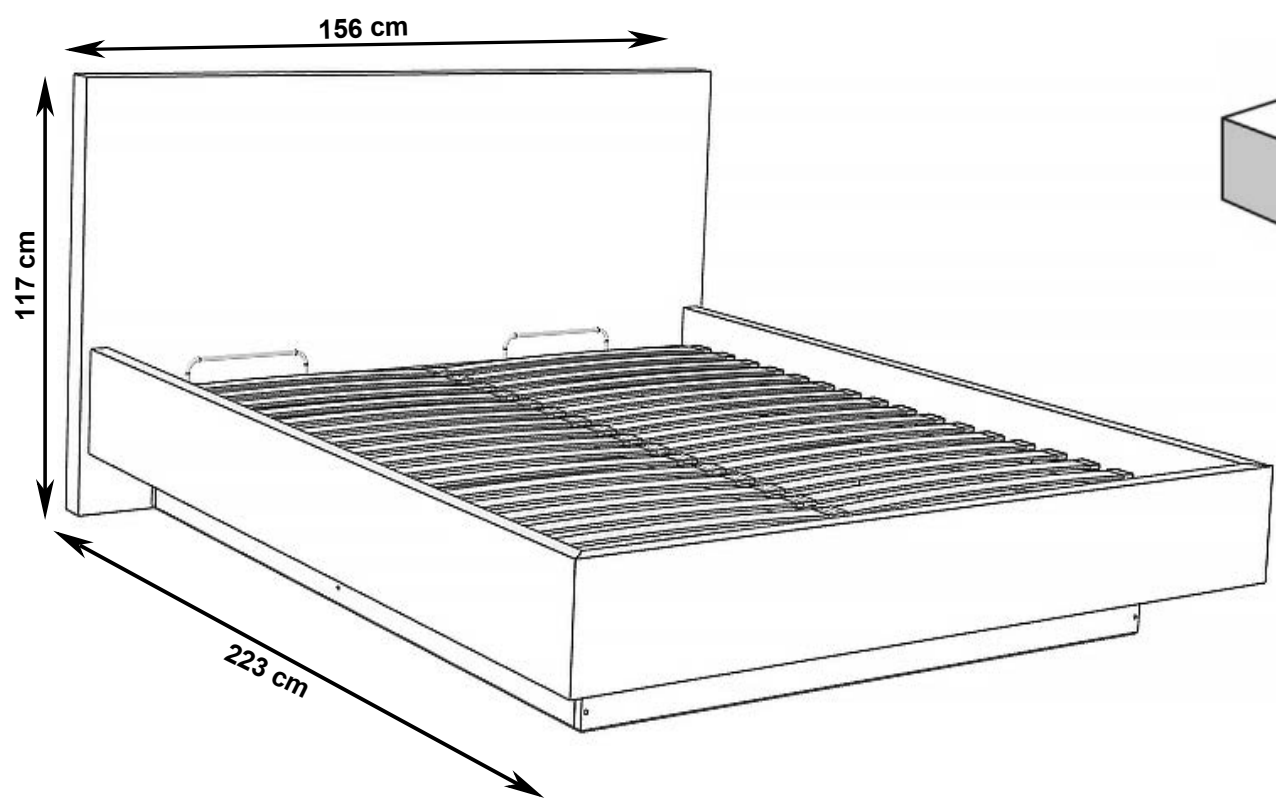
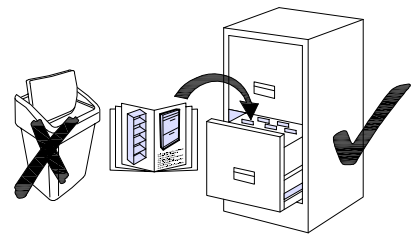
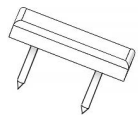




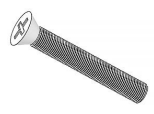
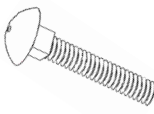


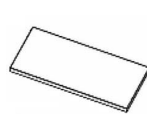

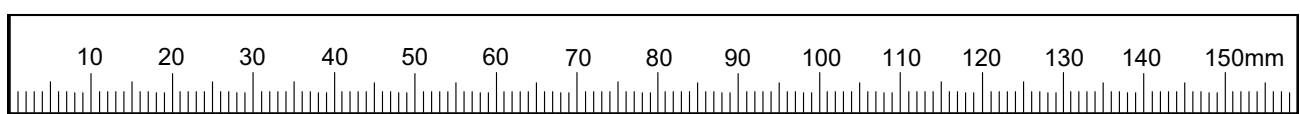




# 140

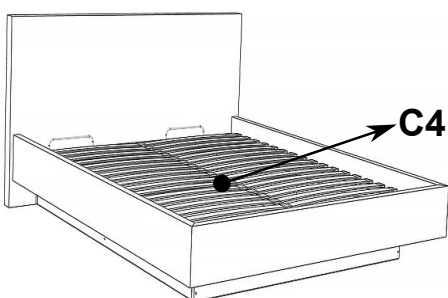
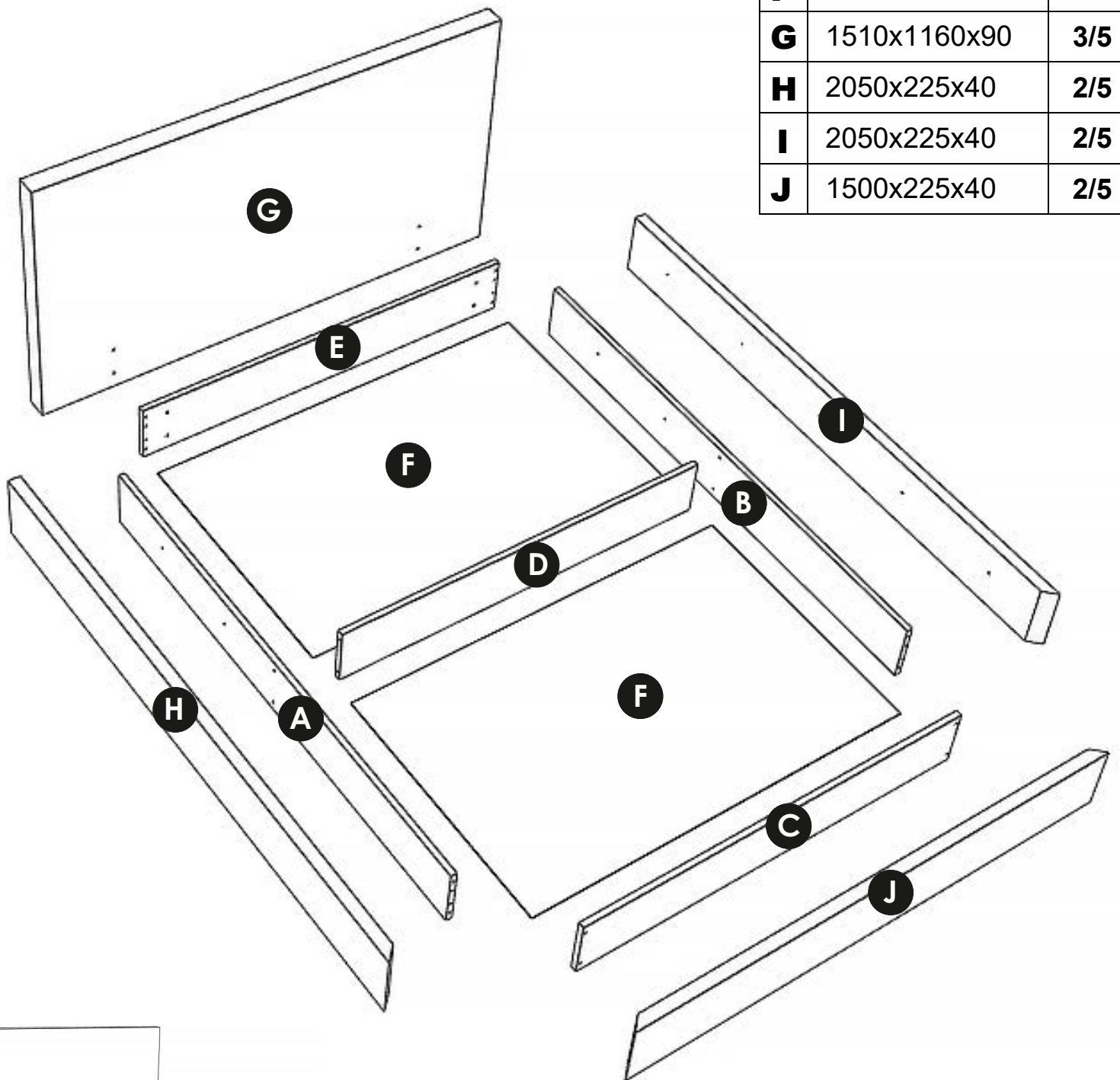


 <b>SP L20</b> x19	 <b>SK M6x60</b> x4	 <b>PP M8</b> x4	 <b>KN 5,0x50</b> x14	 <b>KD 8x30</b> x12	
 <b>SK M6x50</b> x14	 <b>SG M6x30</b> x6	 <b>NS M6</b> x6	 <b>KK "3"</b> x1	 <b>FP 40x20</b> x2	 <b>NC FI14</b> x8

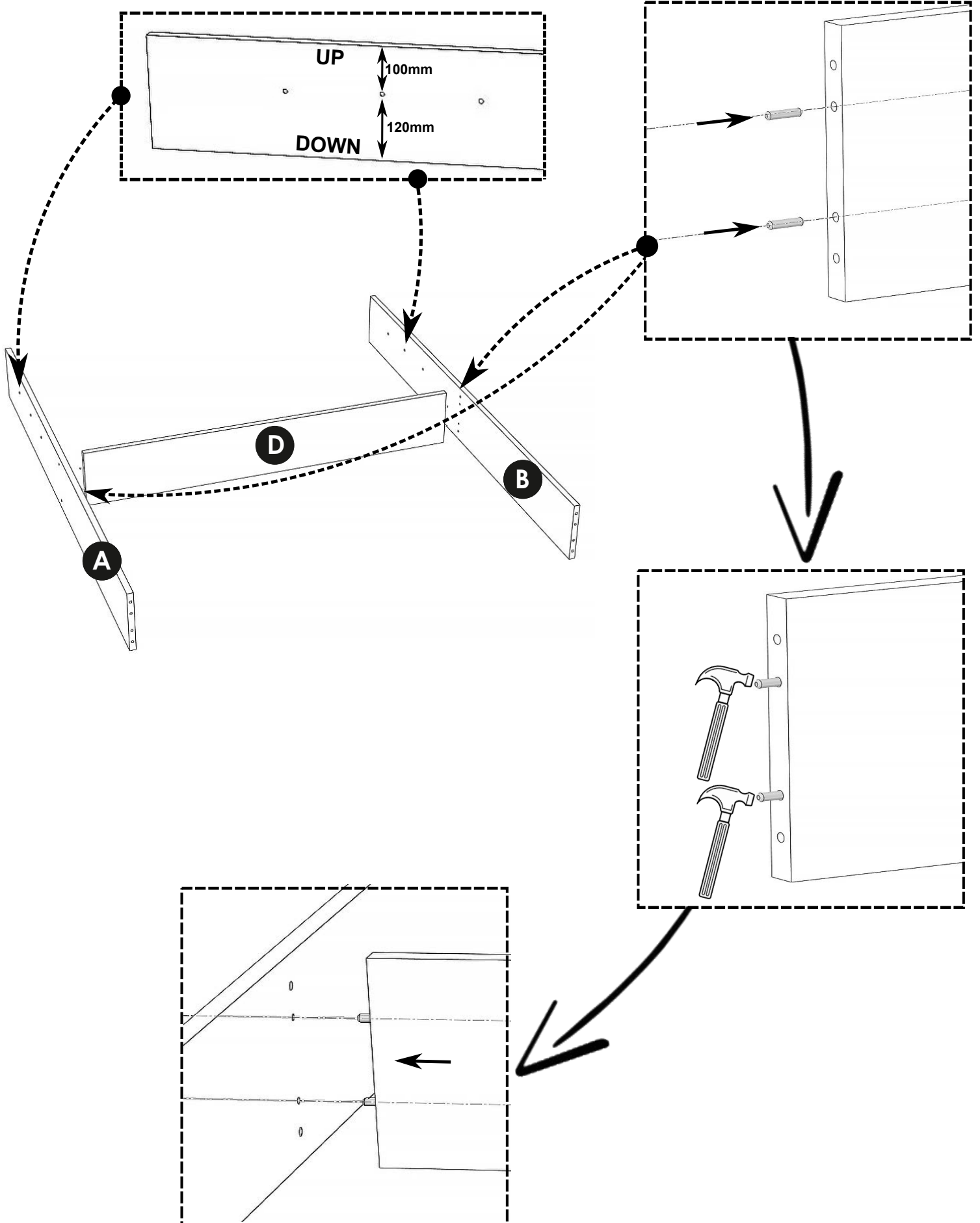
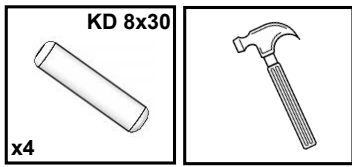




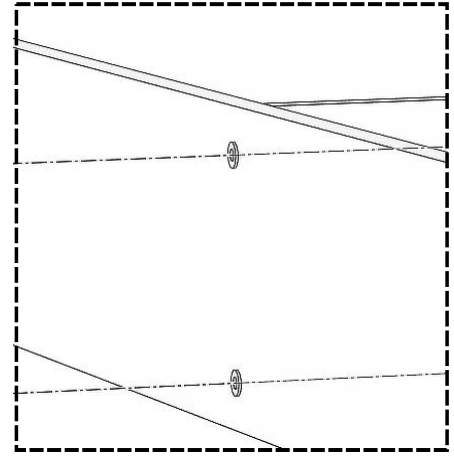
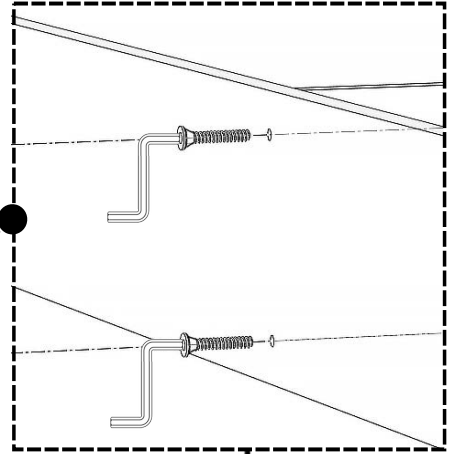
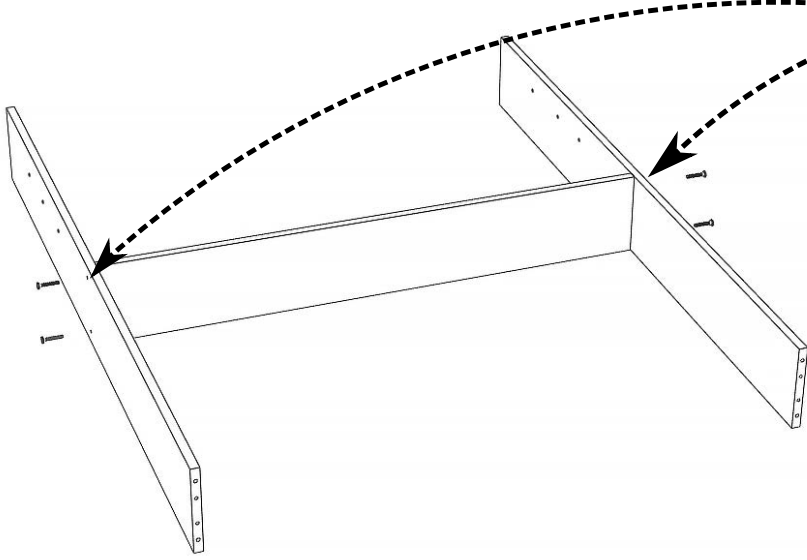
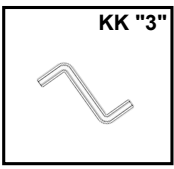
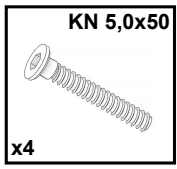
<b>A</b>	1820x220x18	1/5
<b>B</b>	1820x220x18	1/5
<b>C</b>	1100x220x18	1/5
<b>D</b>	1064x220x18	1/5
<b>E</b>	1100x220x18	1/5
<b>F</b>	1099x927x03	3/5
<b>G</b>	1510x1160x90	3/5
<b>H</b>	2050x225x40	2/5
<b>I</b>	2050x225x40	2/5
<b>J</b>	1500x225x40	2/5



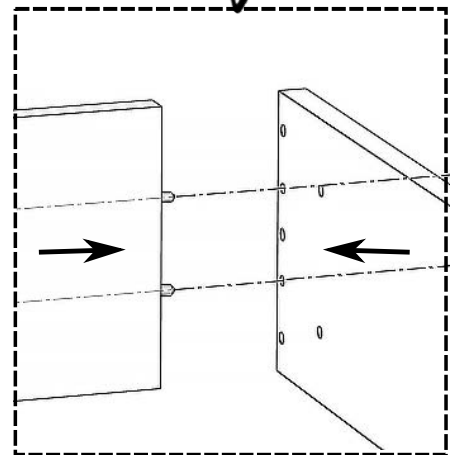
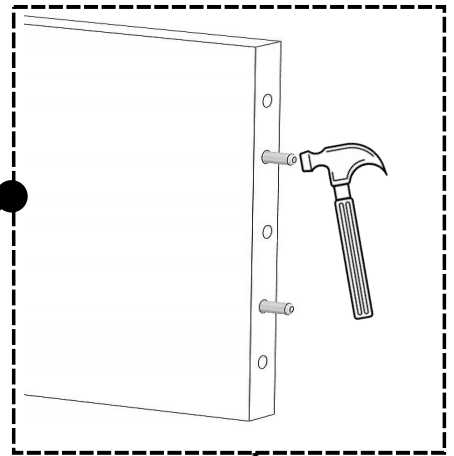
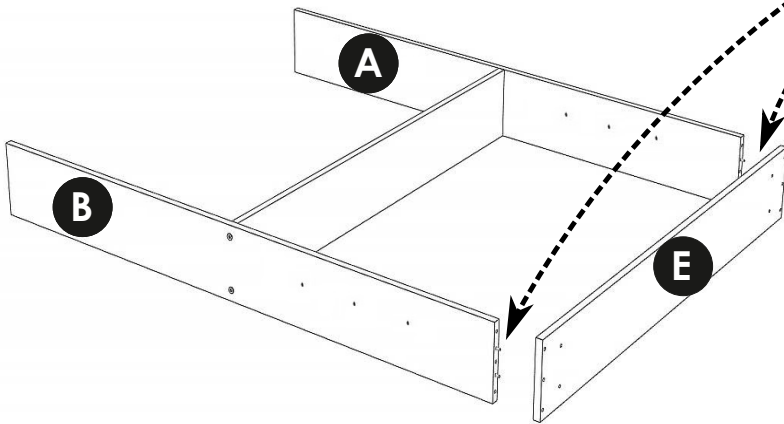
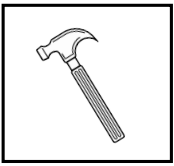
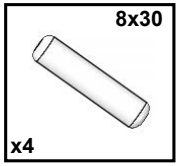
**1**



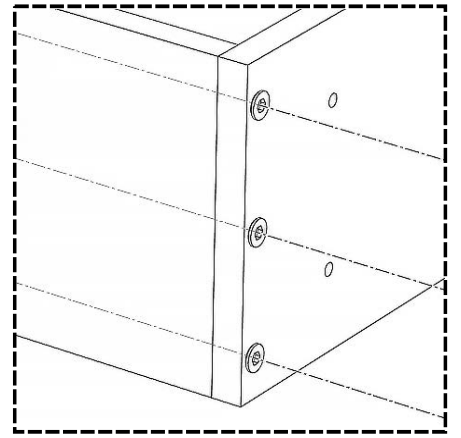
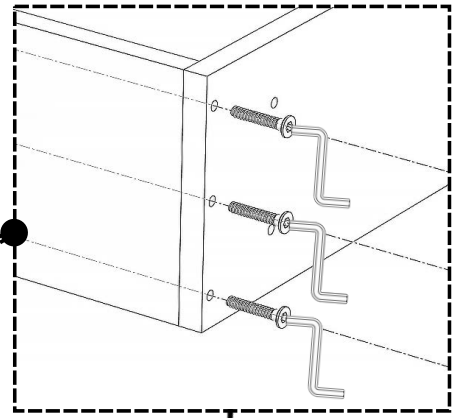
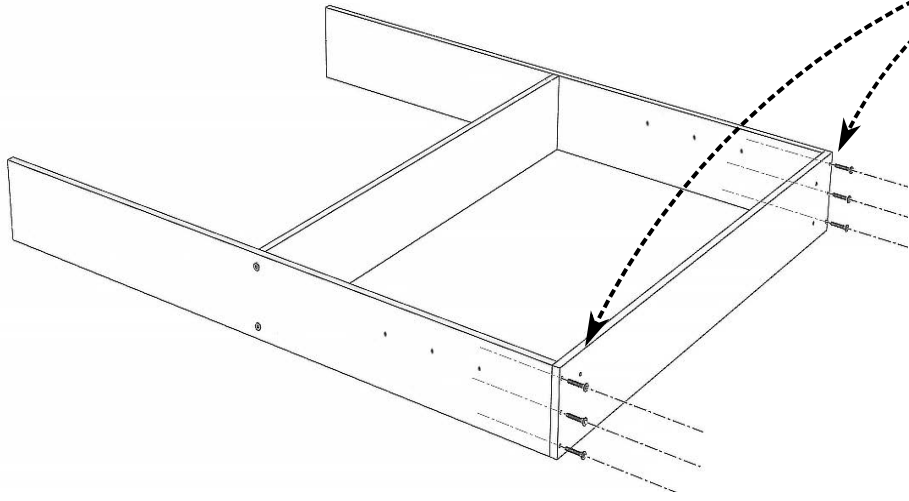
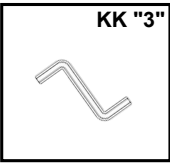
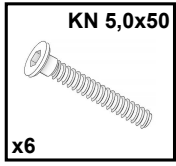
**2**



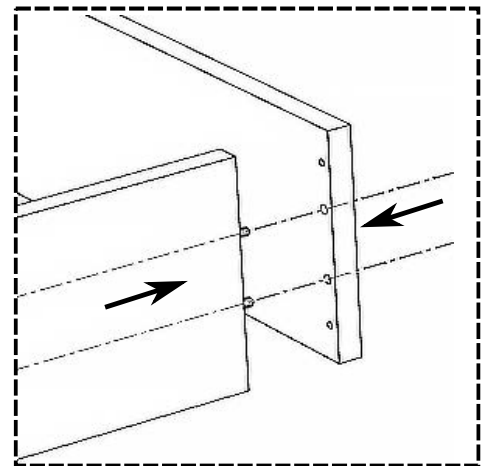
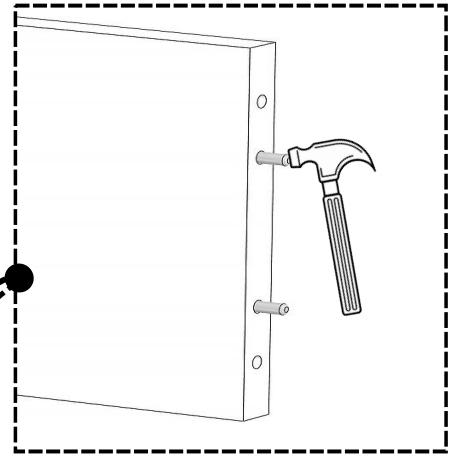
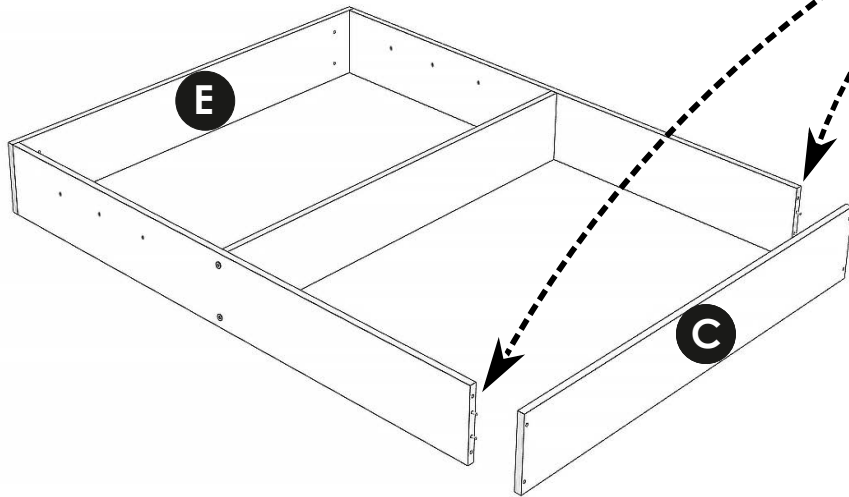
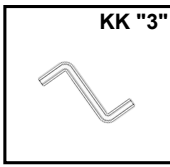
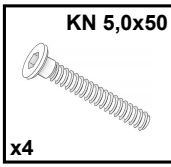
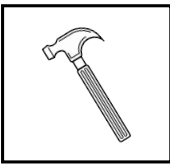
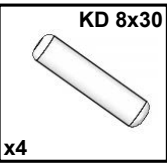
**3**



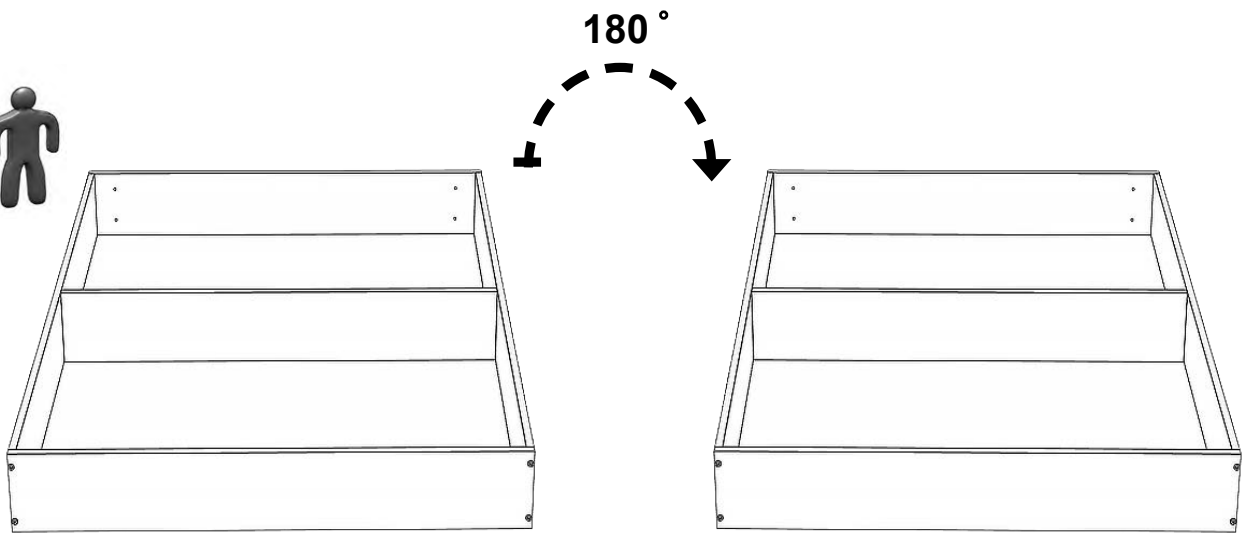
4



5



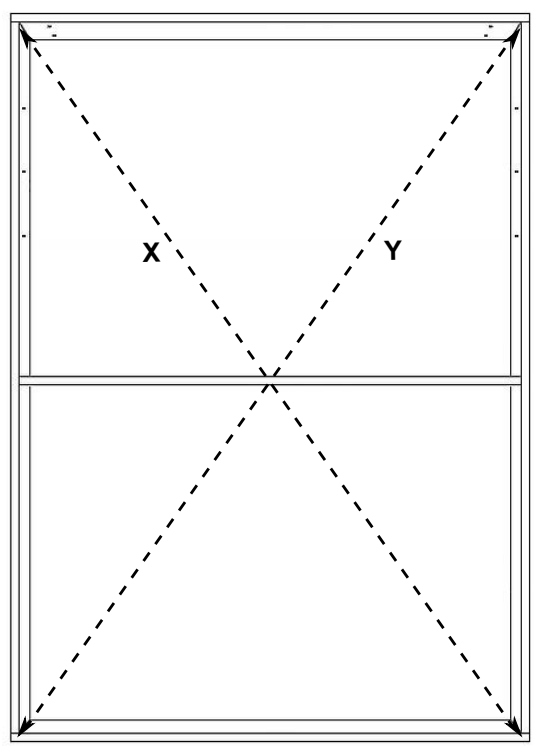
6



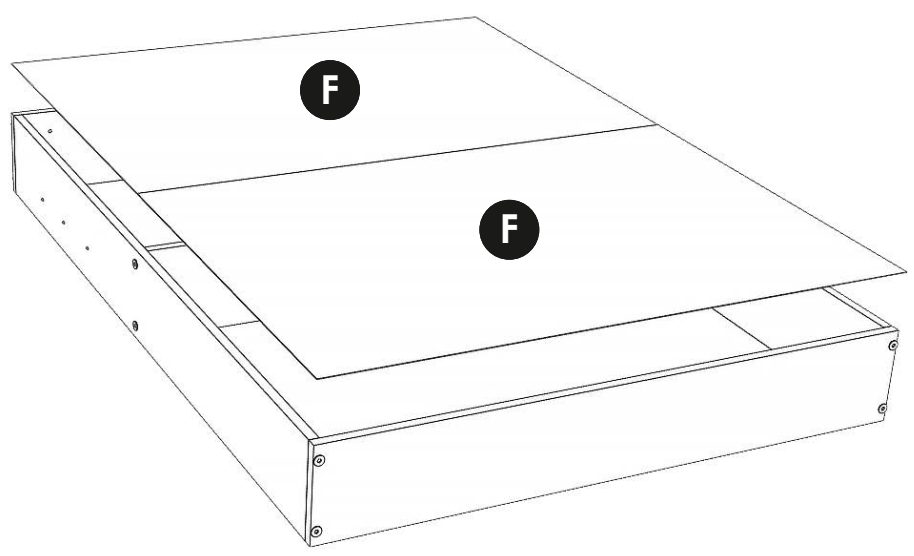
7



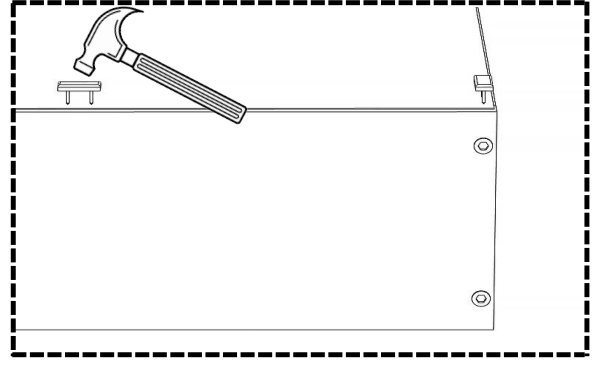
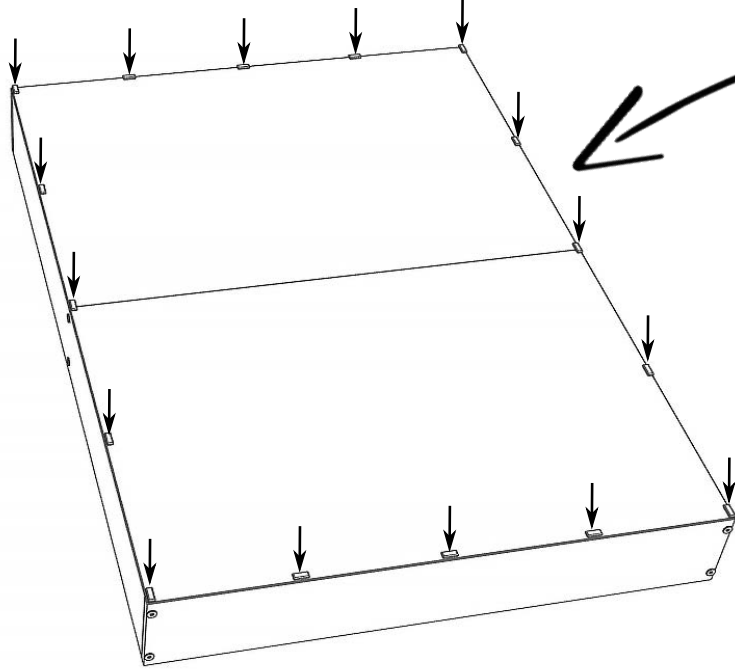
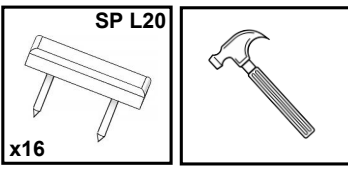
X=Y



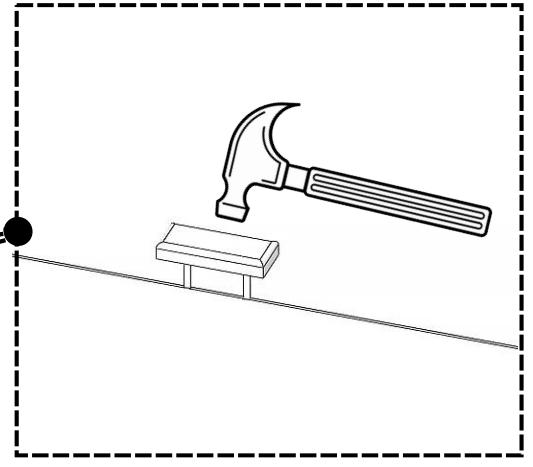
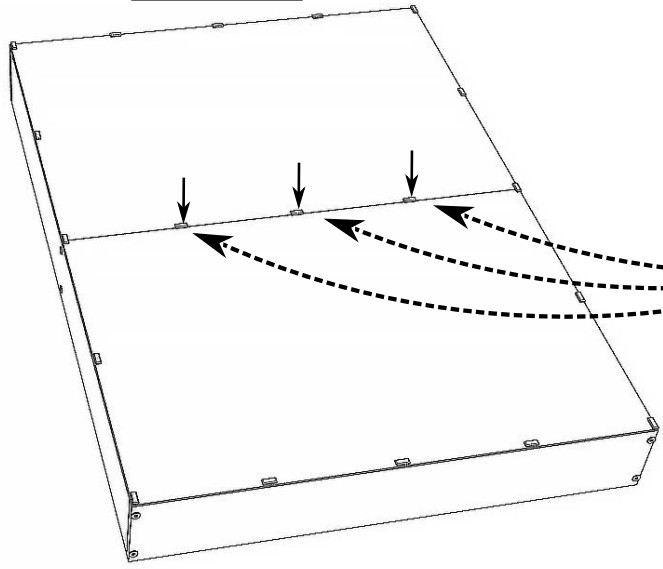
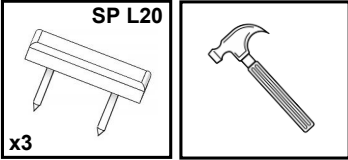
8



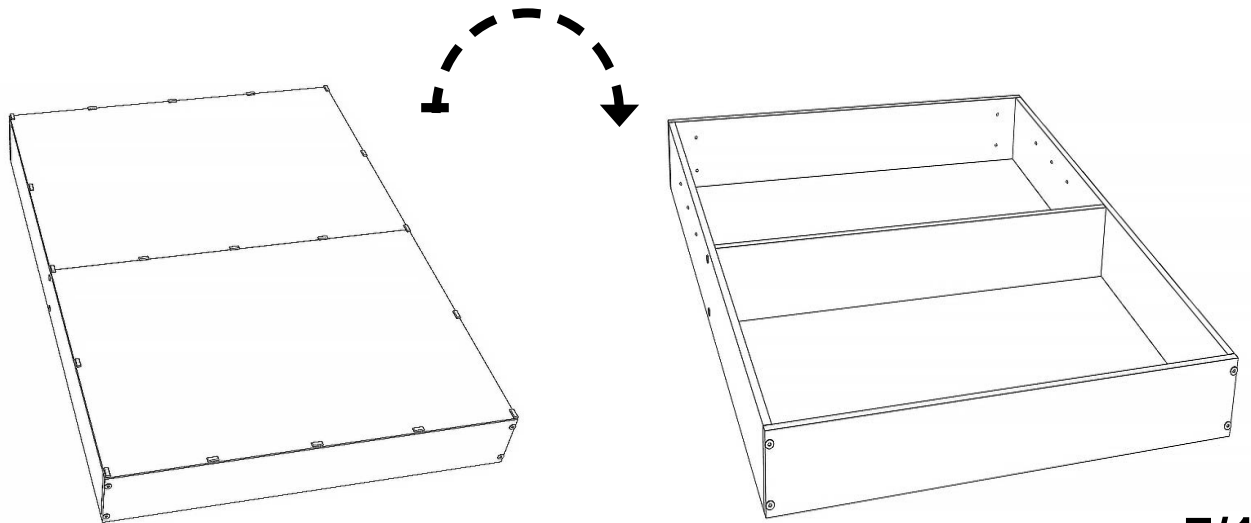
9

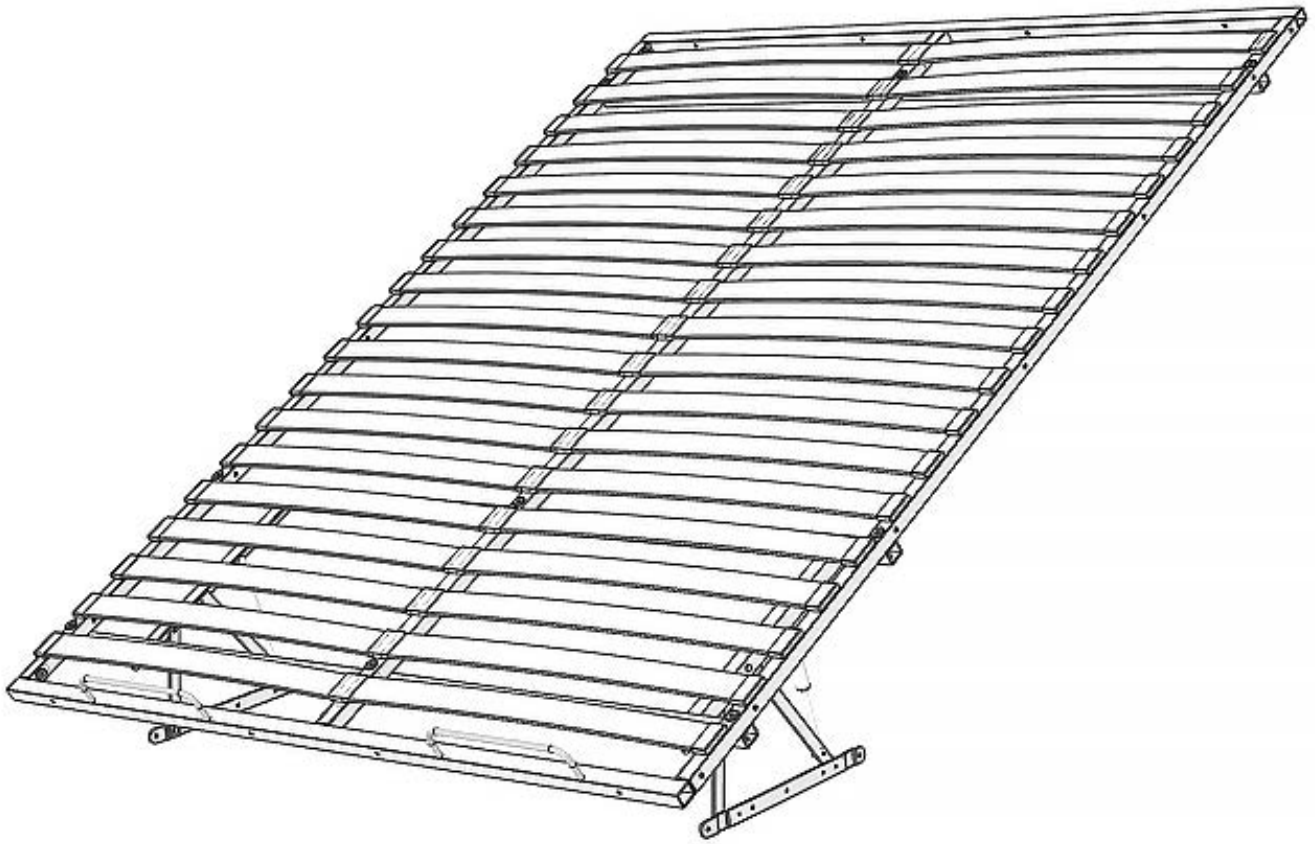


10



11





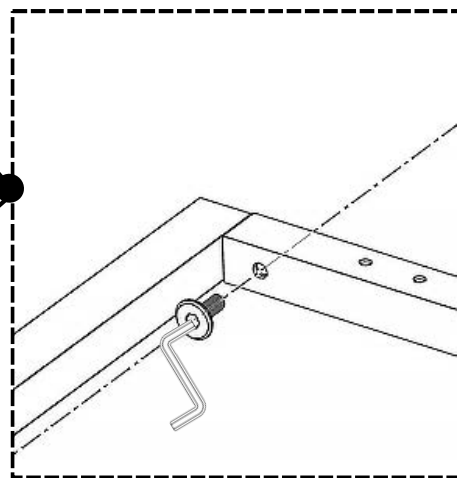
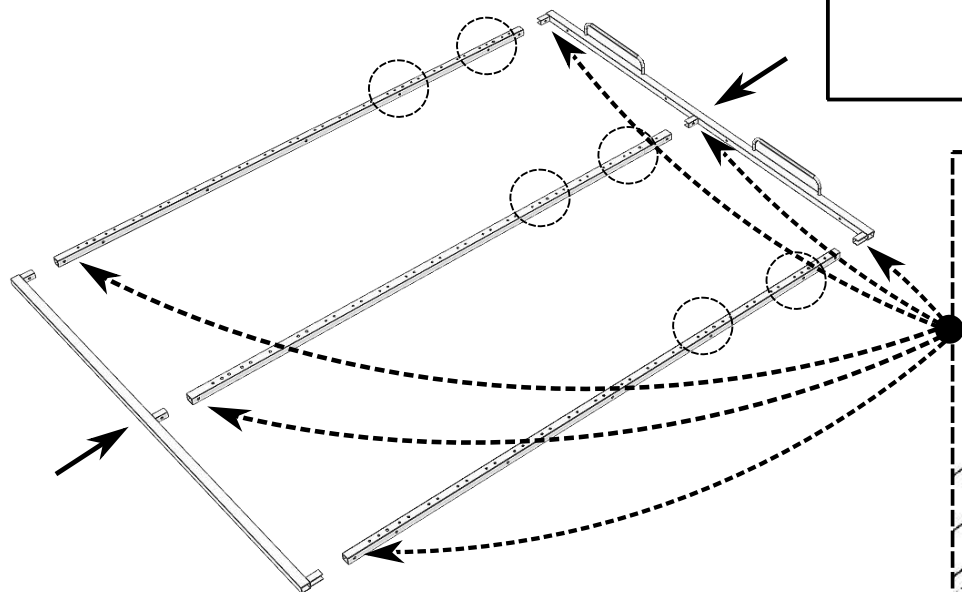
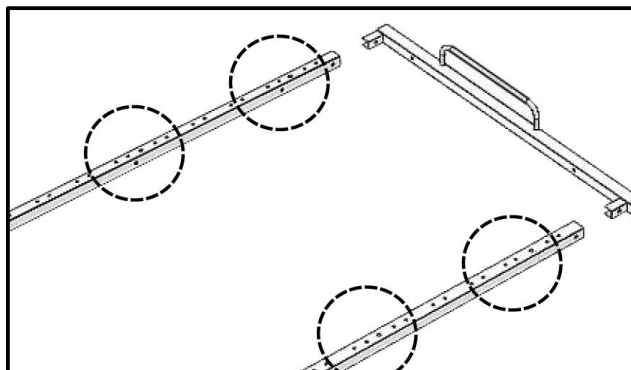
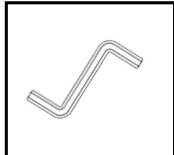
<p><b>1 - 1x</b></p>	<p><b>6 - 2x</b></p>	<p><b>17 - 6x</b></p> <p><b>M8x16</b></p>
<p><b>2 - 1x</b></p>	<p><b>8 - 36x</b></p>	<p><b>9 - 9x</b></p> <p><b>M8x50</b></p>
<p><b>3 - 2x</b></p>	<p><b>10 - 18x</b></p>	<p><b>11 - 9x</b></p> <p><b>M8x40</b></p>
<p><b>4 - 1x</b></p>	<p><b>12 - 8x</b></p> <p><b>M8</b></p>	<p><b>13 - 8x</b></p> <p><b>M8</b></p>
<p><b>5 - 3x</b></p>	<p><b>14 - 36x</b></p> <p><b>675x52x8mm</b></p>	<p><b>15 - 2x</b></p>

12

17 - 6x

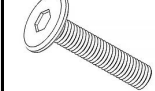


M8x16

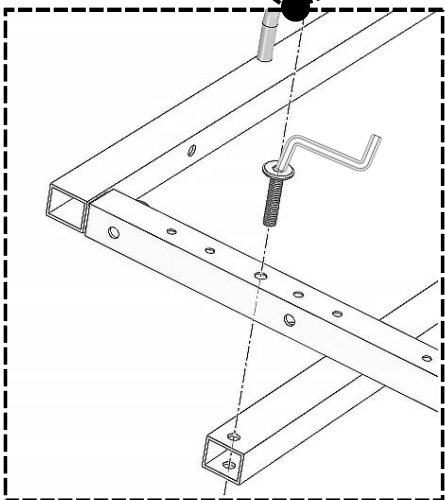
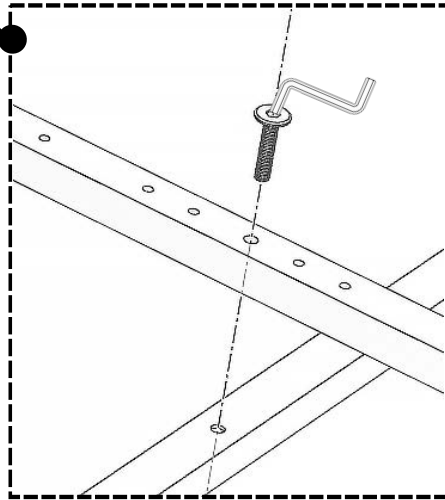
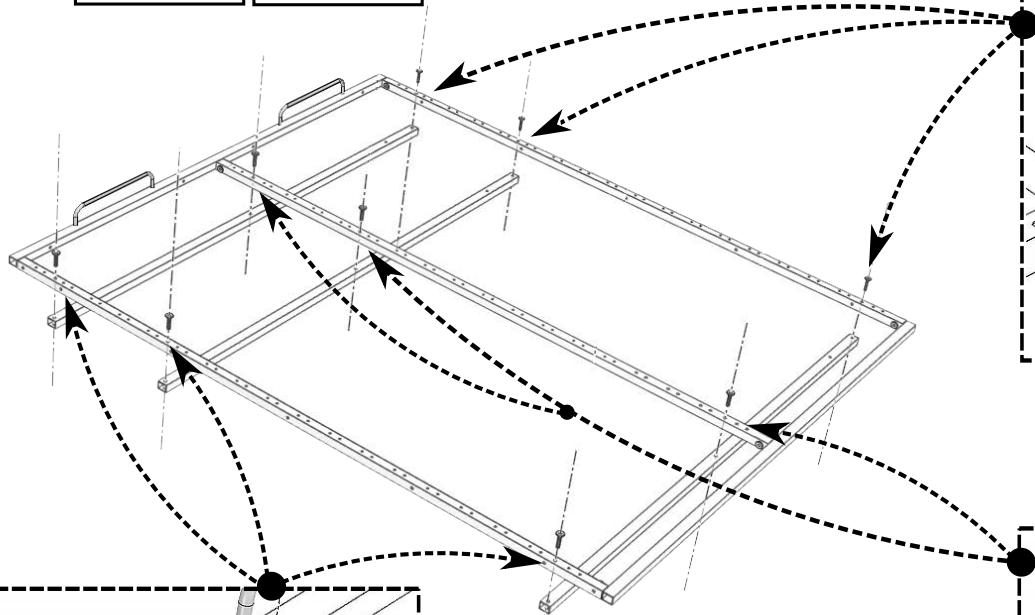
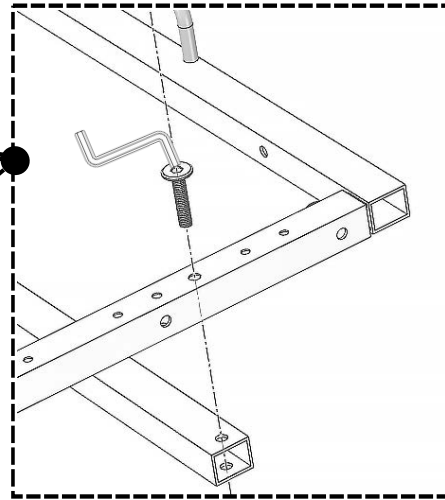
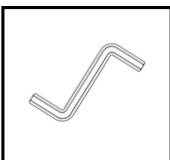


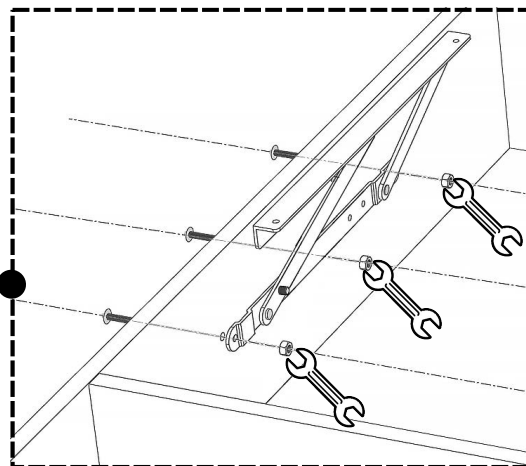
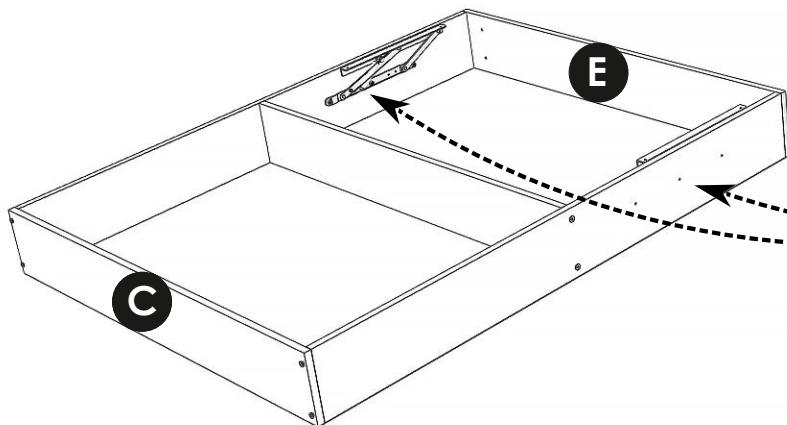
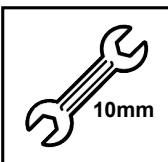
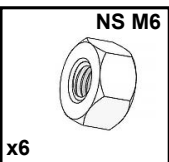
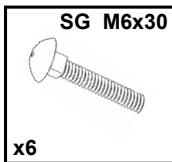
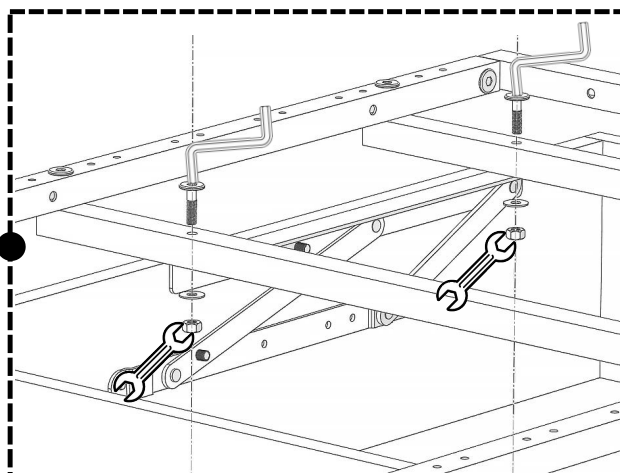
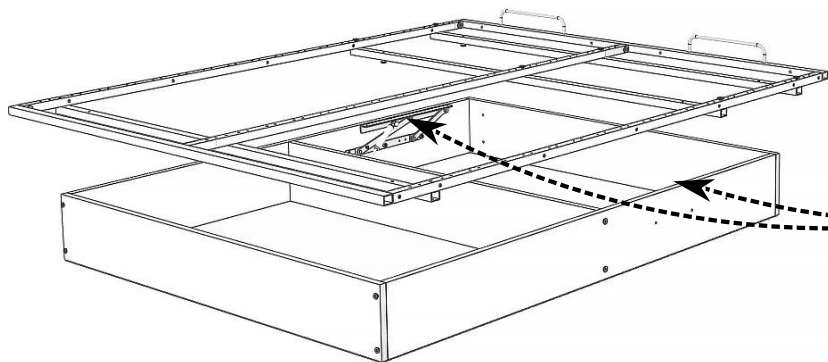
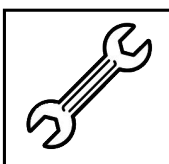
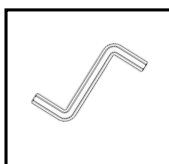
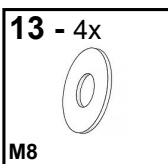
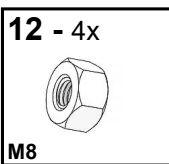
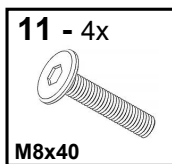
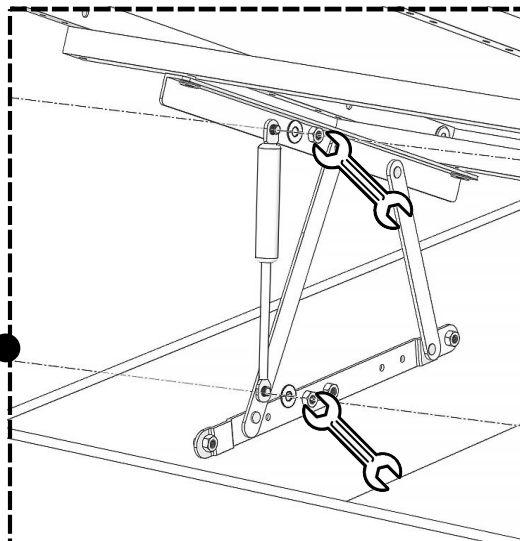
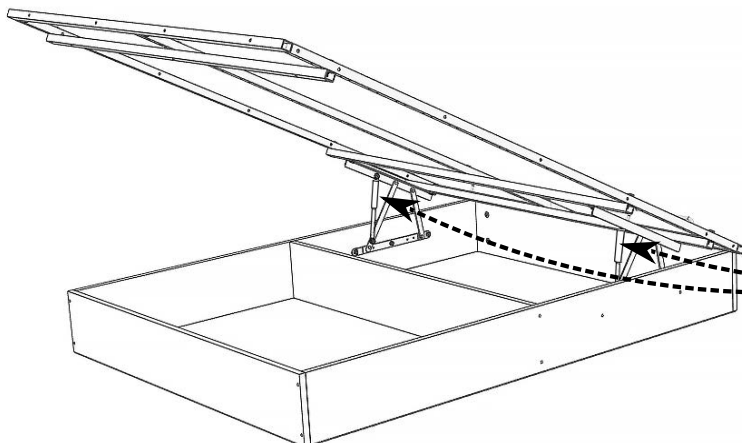
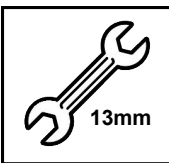
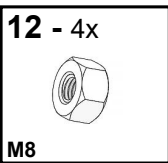
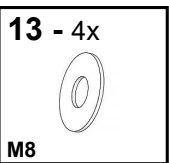
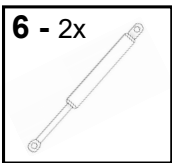
13

9 - 9x



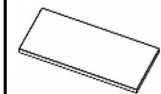
M8x50



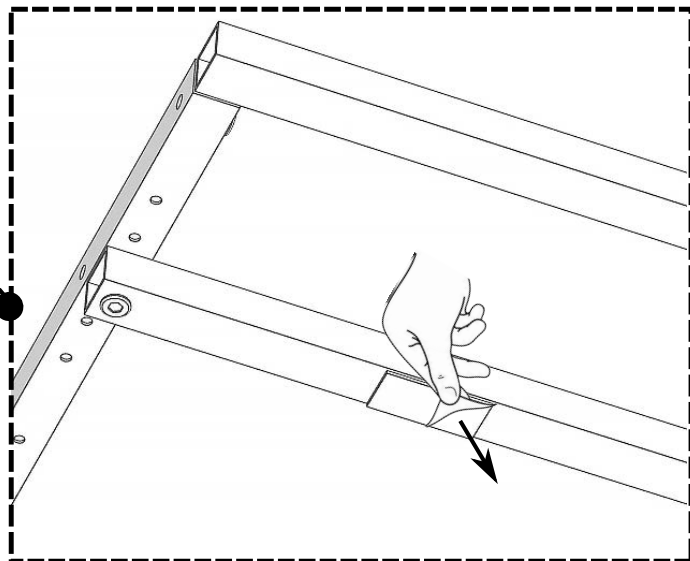
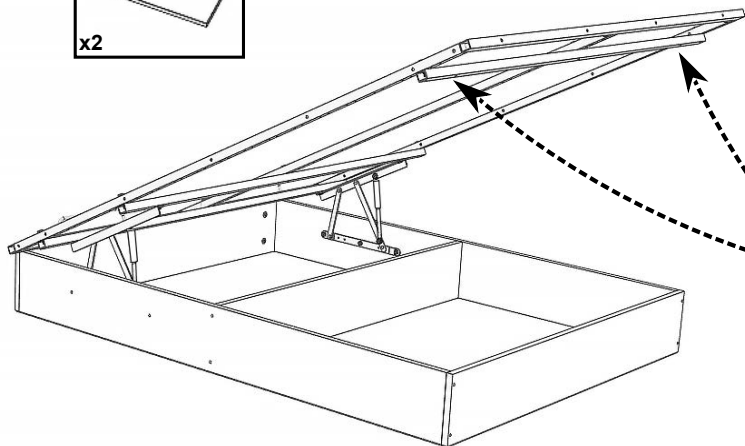
**14****15****16**

**17**

FP 40x20



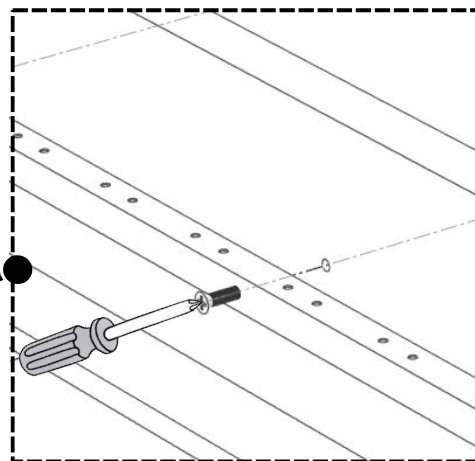
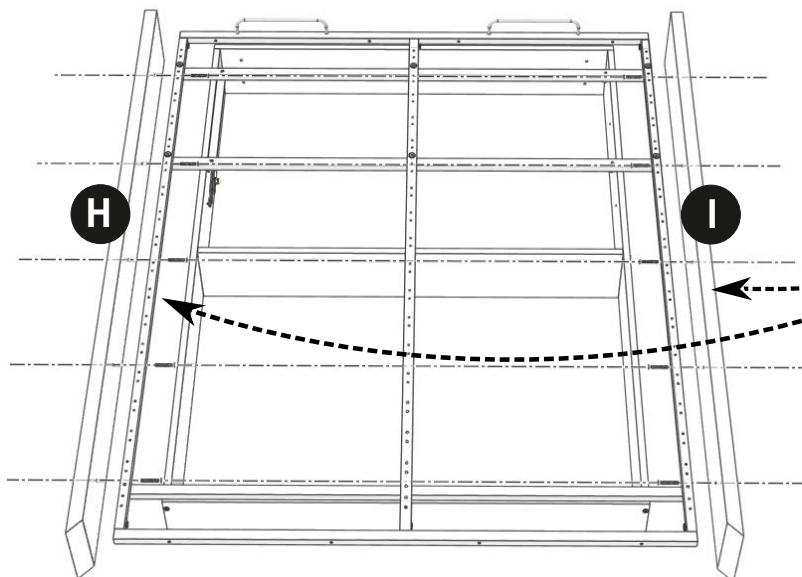
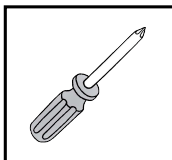
x2

**18**

SK M6x50



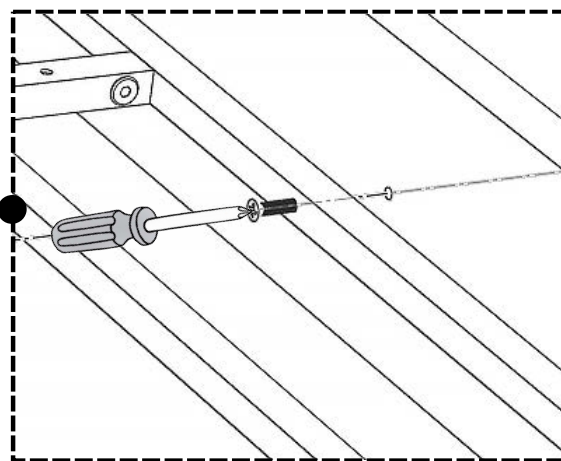
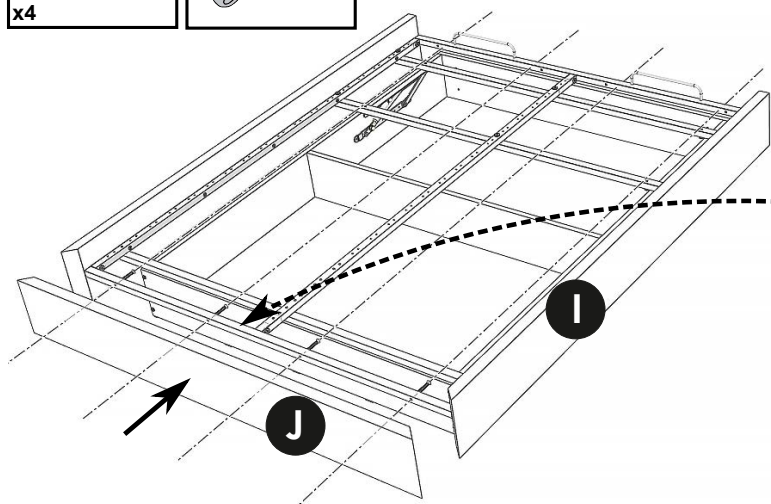
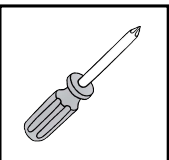
x10

**19**

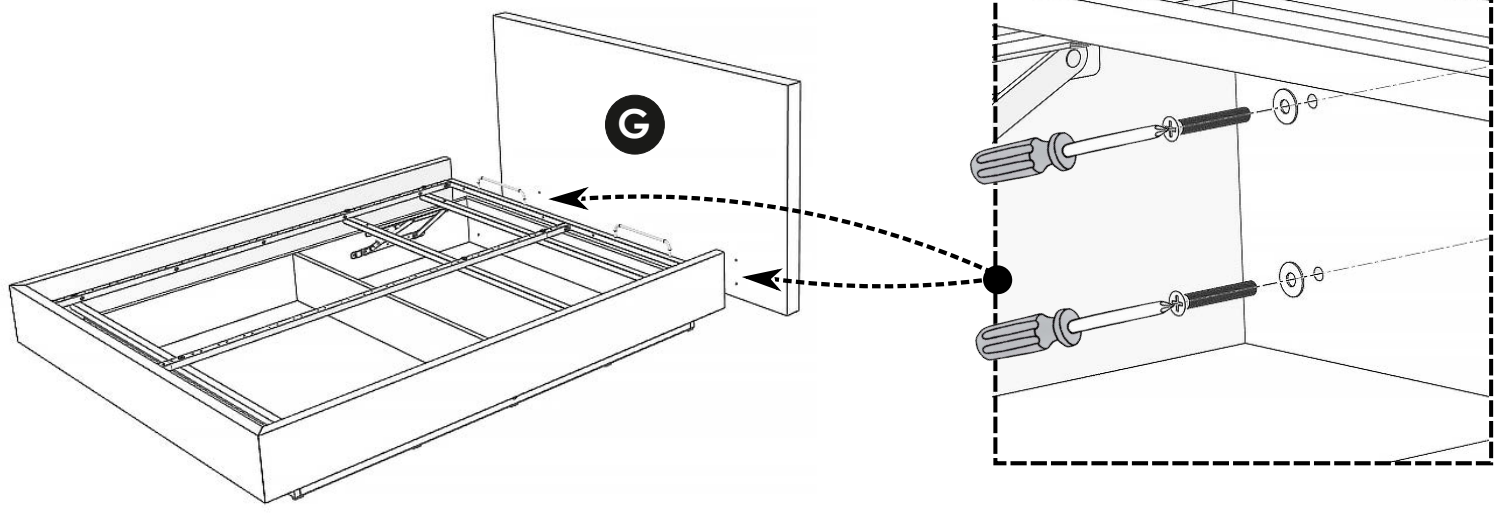
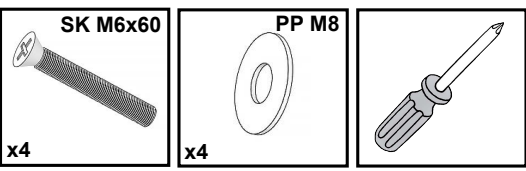
SK M6x50



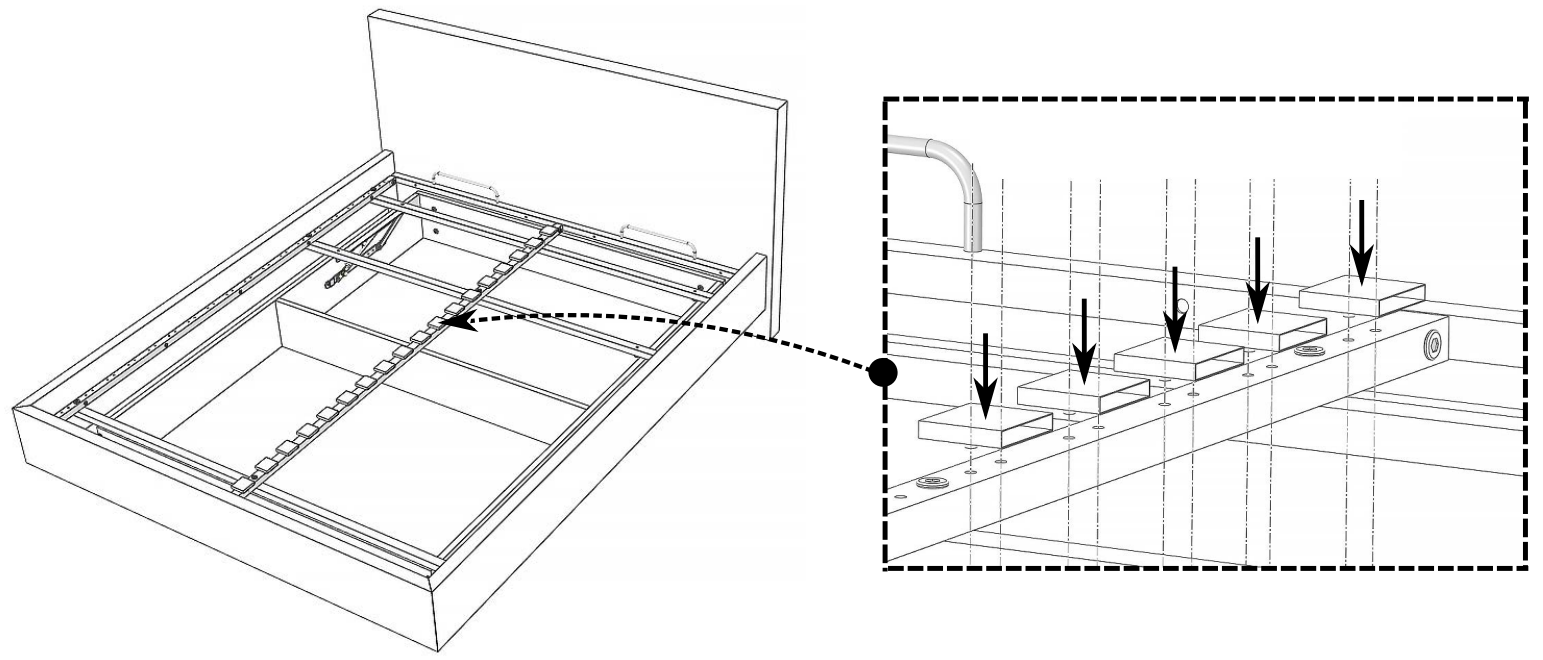
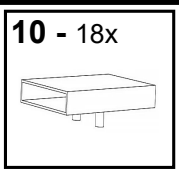
x4



**20**



**21**

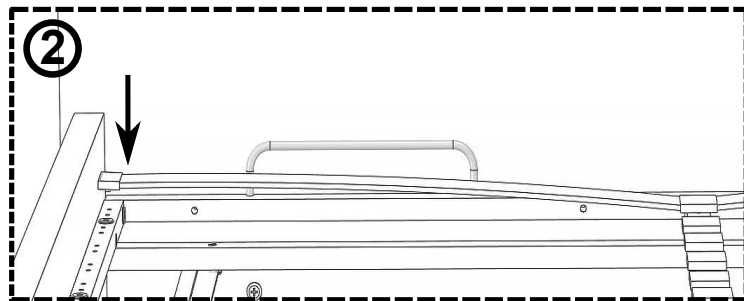
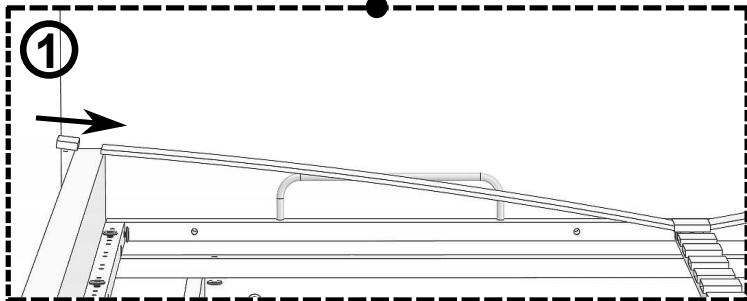
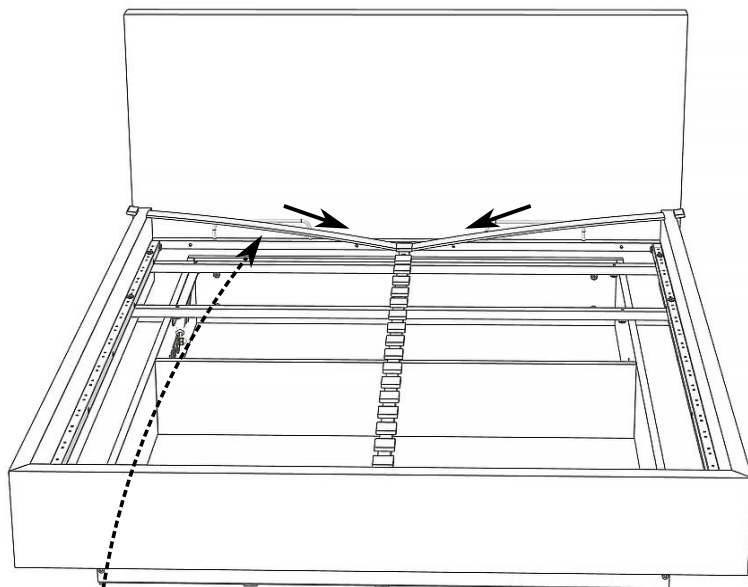


22

8 - 36x



14 - 36x



23

NC F114

